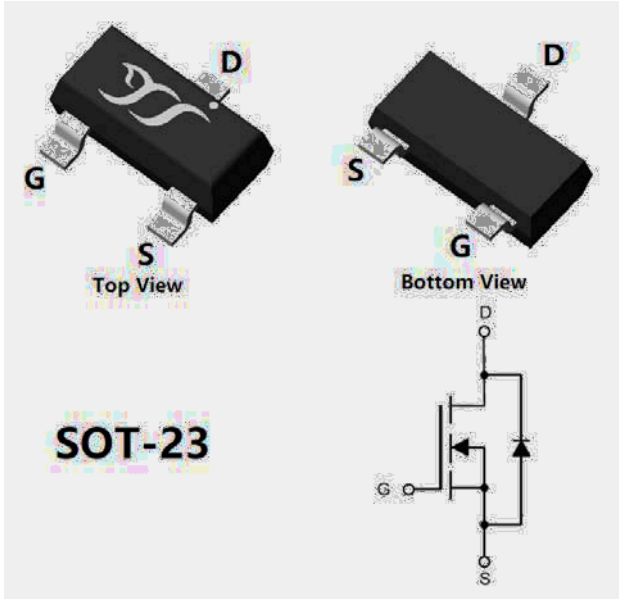




## N-Channel Enhancement Mode Field Effect Transistor



Product Summary

General Description

Applications

### Absolute Maximum Ratings

Parameter	Symbol	Limit	Unit

### Thermal resistance

Parameter	Symbol	Typ	Max	Units

### Ordering Information

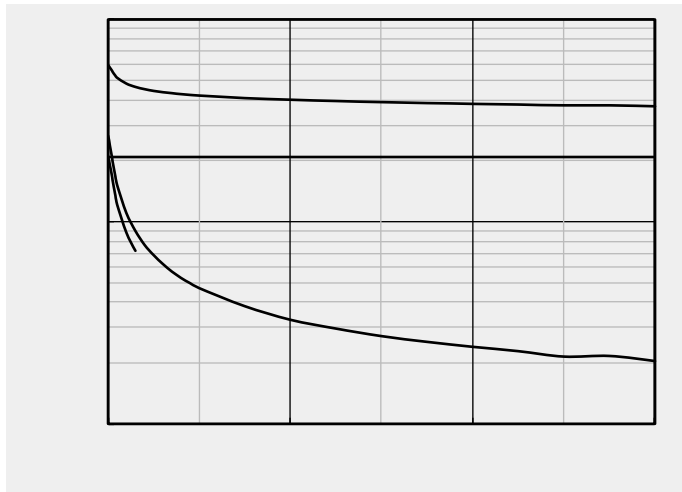
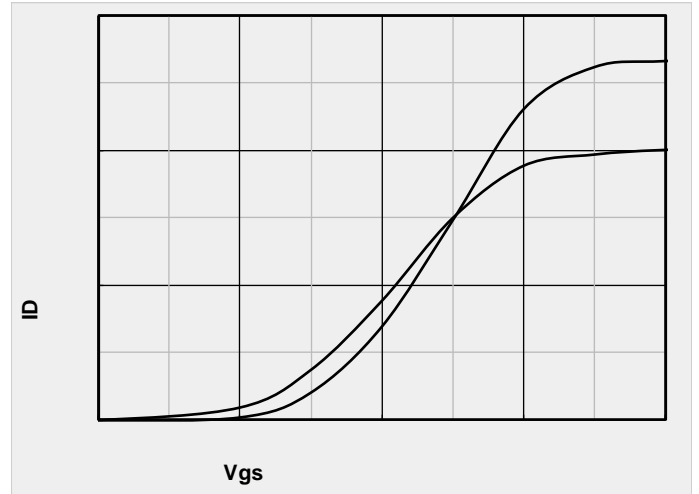
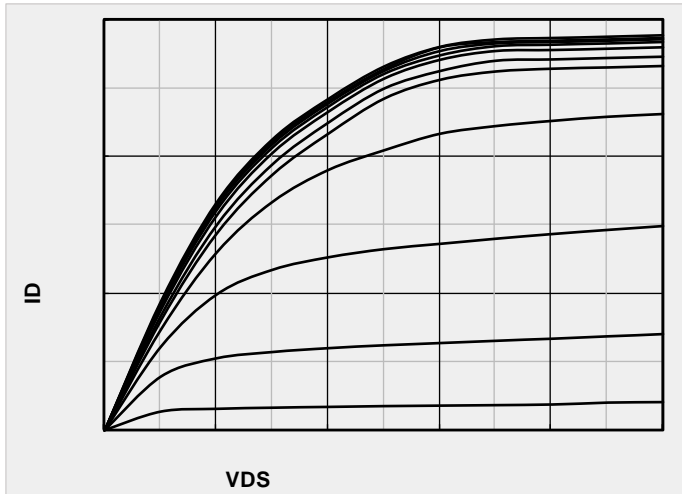
PREFERRED P/N	PACKING CODE	Marking	MINIMUM PACKAGE(pcs)	INNER BOX QUANTITY(pcs)	OUTER CARTON QUANTITY(pcs)	DELIVERY MODE





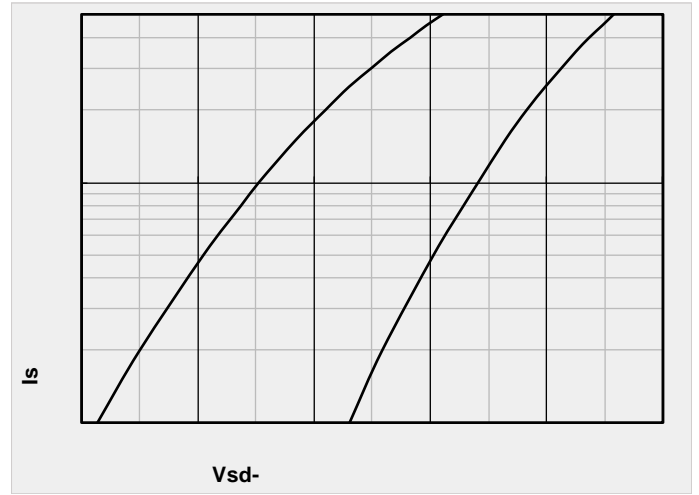
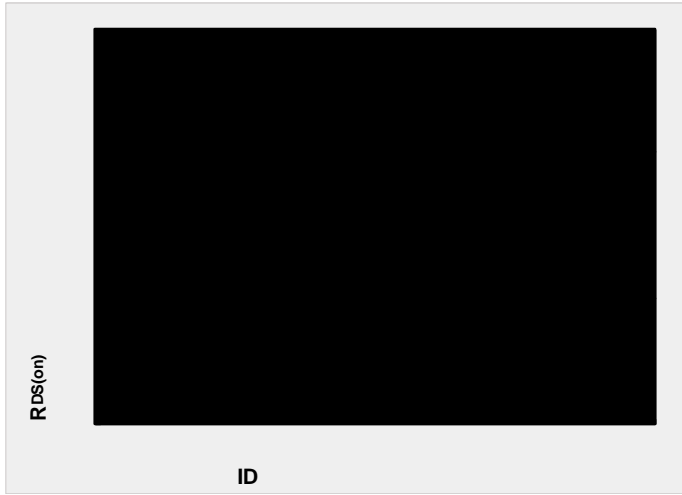
# YJL03N06C

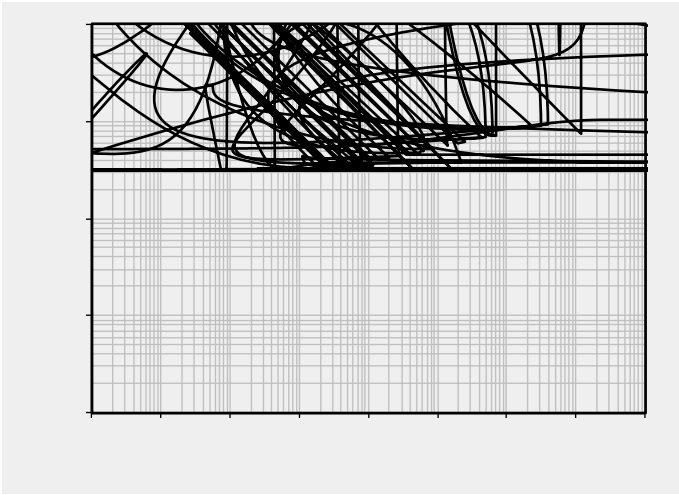
## Typical Electrical and Thermal Characteristics Diagrams





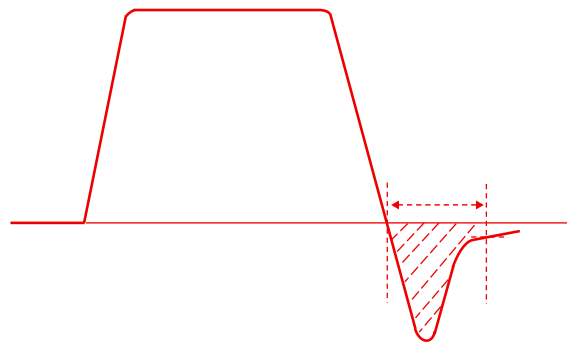
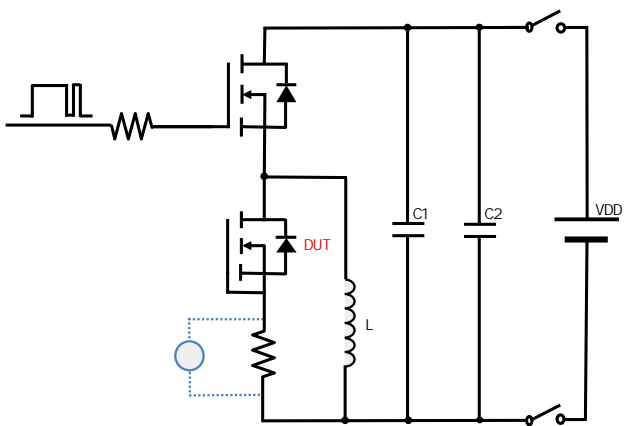
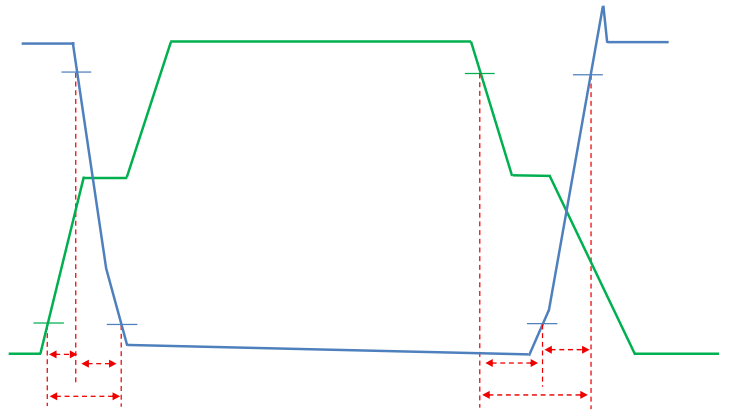
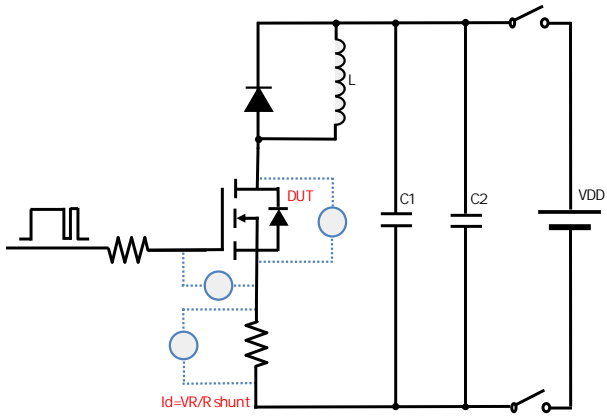
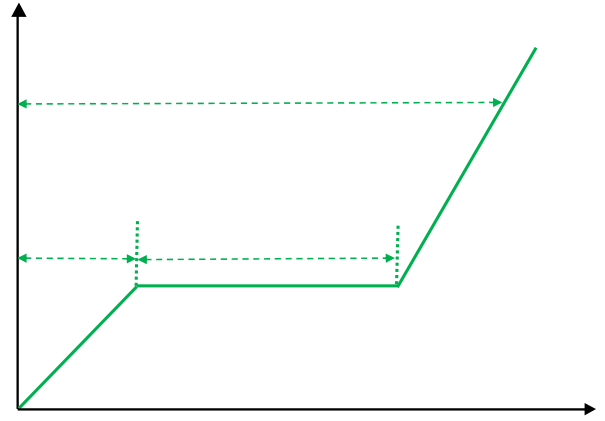
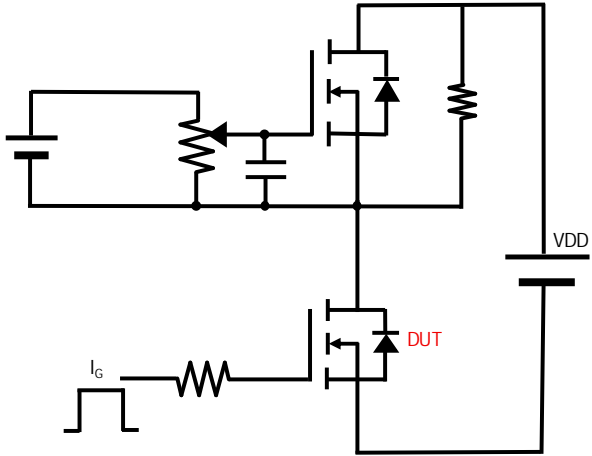
# YJL03N06C







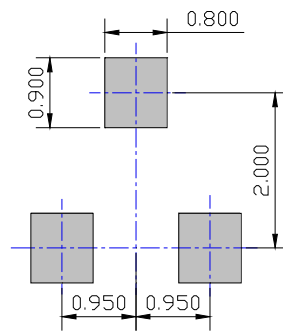
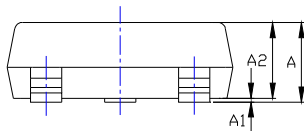
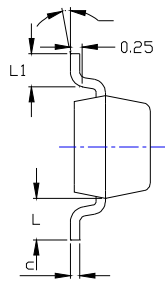
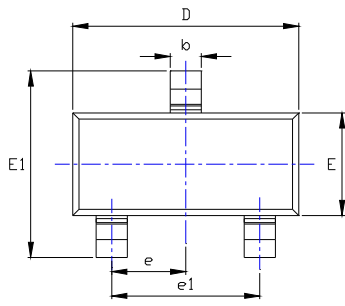
# YJL03N06C





# YJL03N06C

## SOT-23 Package information



SYMBOL	DIMENSIONS			
	INCHES		Millimeter	
	MIN.	MAX.	MIN.	MAX.
A	0.035	0.045	0.900	1.150
A1	0.000	0.004	0.000	0.100
A2	0.035	0.041	0.900	1.050
b	0.012	0.020	0.300	0.500
c	0.004	0.008	0.100	0.200
D	0.110	0.118	2.800	3.000
E	0.047	0.055	1.200	1.400
E1	0.089	0.100	2.250	2.550
e	0.037TYP		0.950TYP	
e1	0.071	0.079	1.800	2.000
L	0.022REF		0.550REF	
L1	0.012	0.200	0.300	0.500
	0°	8°	0°	8°



**YJL03N06C**

---

**Disclaimer**

---

---