



0”
oÿoÂo”oÿo”o-oËo”

RoHS
COMPLIANT

v(OHFWULFDO &KDUDFWHULVWLFV RWKHUZZLVH VSHFLILHG

3DUDPHWHU	6\PERO	8QLW	&RQGLWLRQ	0LQ	7\S	0D[
%UHDNGRZQ YROWDJH	9 ₅		5 X\$,
)RUZDUG YROWDJH	9 ₁) P\$,
	9 ₁) P\$,
5HYHUVH OHDNDJH FXUUHQW	. ₅		9 ₅ Q	\$		
	. ₅		9 ₅ X	\$		
-XQFWLRQ FDSDFLWDQFH		S) &M	9 9 I 0+=			
5HYHUVH UHFRYHU\ WLPH		QV7UU) P\$ 9 ₅ 9 ,UU P\$ 5			

0³

v7KHUPDO &KDUDFWHULVWLFV

0²

3DUDPHWHU	6\PERO	8QLW	9DOXH
7KHUPDO UHVLVWDQFH MXQFWLRQ WR DPELHQW		5QW\$	- :
7KHUPDO UHVLVWDQFH MXQFWLRQ WR FDVH		5 - &	- :

0³

1RWH
o o 7KHUPDO UHVLVWDQFH WR DPELHQW & FDVH
DUHDV

0³

0³

0³

0³

0³

0³

0³

0³



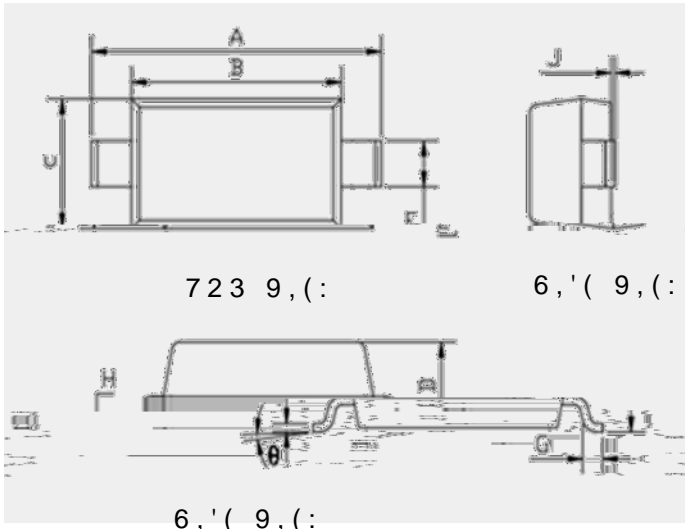
0”
 0¥0Â0”0¥0”0-0Ë0”

RoHS
 COMPLIANT

v2UGHULQJ ,QIRUPDWLRQ

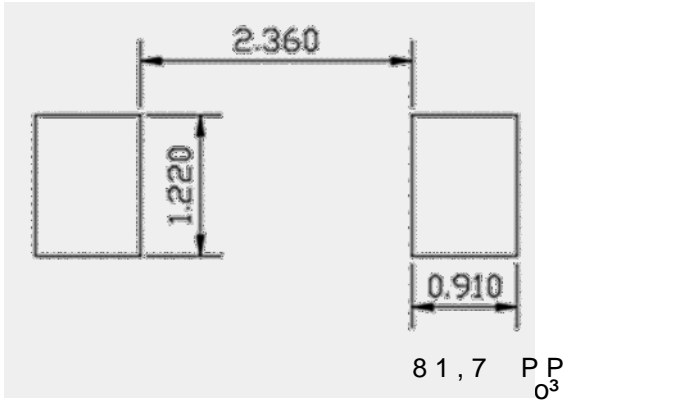
3UHIHUUHC	3DFNL FRGH	8QLW ZHLJ	0LQLPXP SDFNDJH	,QQHU ER TXDQWLW\	2XWHU FDU TXDQWLW\	'HOLYHU\ PRGH
1 :)	\$SSUR[LPDWH				
1 :)	\$SSUR[LPDWH				

v2XWOLQH 'LPHQVLRQV



DIMENSIONS				
DIM	INCHES		MM	
	MIN	MAX	MM	MAX
A	0.140	0.152	3.550	3.850
B	0.100	0.112	2.550	2.850
C	0.055	0.071	1.400	1.800
D	0.037	0.053	0.950	1.350
E	0.030	0.040	0.760	1.010
F	0.006	0.018	0.150	0.450
H	0.003	0.010	0.080	0.250
J	0.000	0.006	0.000	0.150
θ	0	8°	0	8°

v6XJJHVWHG 3DG /D\RXW





o”
oÿoÂo”oÿo”o-oËo”

RoHS
COMPLIANT

o³

'LVFODLPHU

7KH LQIRUPDWLRQ SURFHVWV LQ IRXU DJURDQG (OHFWURQLF 7HFQRORJ
ULJKW WR PDNH FKDQJH VZLWKRXV SURJUDGXERQ/ RILWSOD\HG KHUHLQ WR GPSURQ
RU RWKHUZLVH

7KH SURGXFW OLVWHG KHUHLQ LV GHOLJHG WR RFEHTXVLSBHZLWKRURGHYLDUHWKQGG
HTXLSPHQW RU GHYLFHV ZKLFK UHTXLW KHKE DIO IXQFHWLRQ URHQLDEKLORWODXGKUDHFWO
PHGLFDO LQVWUXPHQW HTXDSRISQWWDHUURQSBGHIPLD FKHDFWRU FRQWUROOHWY IX
GHYLFHV <DQJMLH RU DQ\ RQH RQ LWLVOE W/K DQJ ODVEXDHW\QIRWHDVSRQDREJXW HUV
RI VDOH

7KLV SXEOLF DWLRQ SURFHVWV DQJMLH QURPDVLSRQ ISGHYRURXDGIRQLRSDHOVLRWHLPLWRX
KWWS://www.dqjmlh.com RQVXOW\RXUHQDQJVRIDQJMLH/DQJMLH/DQJMLH D

o³