

- Low Leakage Current Applications
- High Conductance
- Lead Free Finish/RoHS Compliant
- Small package saves board space
- Moisture Sensitivity Level 3

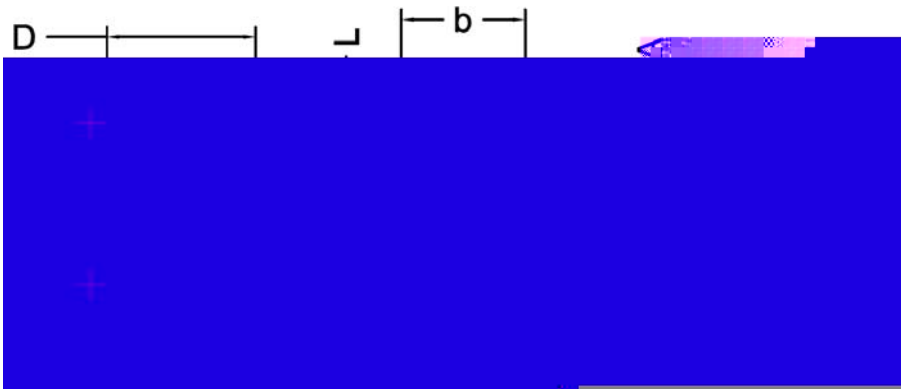
- : DFN1006-2L
- : Tin plated leads, solderable per J-STD-002 and JESD22-B102
- : Cathode line denotes the cathode end
- : BV

■ (Ta=25 Unless otherwise specified)

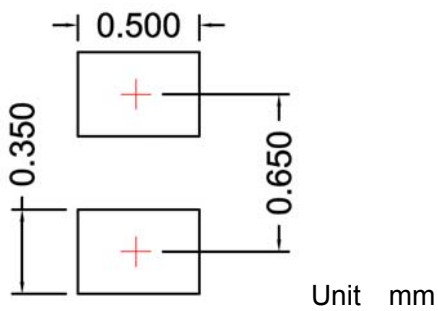
Reverse Voltage	V_R	V		85
Non-repetitive Peak Forward Surge Current	I_{FSM}	A	t=1ms	1
Forward Continuous Current	I_F	mA		200
Power Dissipation	P_D	mW		200
Junction Temperature	T_j			150
Storage Temperature Range	T_{stg}			-55 ~+150

■ Ta=25 Unless otherwise specified

Breakdown Voltage	V_R	V	$I_R=100\mu A$	85	-
Forward Voltage	V_F	V	$I_F=1mA$	-	0.9
			$I_F=10mA$	-	1
			$I_F=50mA$	-	1.1
			$I_F=150mA$	-	1.25
Reverse Leakage Current	I_R	nA	$V_R=75V$	-	5
Capacitance	C	pF	$V_R=0V, f=1MHz$	-	4
Reverse Recovery Time	T_{rr}	us	$I_F=I_R=10mA, I_{rr}=0.1*I_R, R_L=100\Omega$	-	3



SYMBOL	MILLIMETER		
	MIN	NOM	MAX
D	0.50	0.60	0.70
E	0.90	1.00	1.10
A	0.35	0.45	0.55
A1	0.15 BSC		
A2			0.10
F	0.005		
G	0.005		
L	0.15	0.25	0.35
b	0.41	0.50	0.59
e	0.65 BSC		





The information presented in this document is for reference only. Yangzhou Yangjie Electronic Technology Co., Ltd. reserves the right to make changes without notice for the specification of the products displayed herein to improve reliability, function or design or otherwise.

The product listed herein is designed to be used with ordinary electronic equipment or devices, and not designed to be used with equipment or devices which require high level of reliability and the malfunction of which would directly endanger human life (such as medical instruments, transportation equipment, aerospace machinery, nuclear-reactor controllers, fuel controllers and other safety devices), Yangjie or anyone on its behalf, assumes no responsibility or liability for any damages resulting from such improper use of sale.

This publication supersedes & replaces all information previously supplied. For additional information, please visit our website [http:// www.21yangjie.com](http://www.21yangjie.com) , or consult your nearest Yangjie's sales office for further assistance.