

PARAMETER		UNIT	Conditions	Min	Max
Breakdown Voltage	V_R	V	$I_R=100\mu A$	75	
Forward Voltage	V_F	V	$I_F=1mA$		0.715
			$I_F=10mA$		0.855
			$I_F=50mA$		1.00
			$I_F=150mA$		1.25
Reverse Leakage Current	I_R	μA	$V_R=75V$		1
Capacitance	C	pF	$V_R=0V, f=1MHz$		4
Reverse Recovery Time	T_{rr}	ns	$I_F=I_R=10mA$ $I_{rr}=0.1*I_R$, $R_L=100\Omega$		6

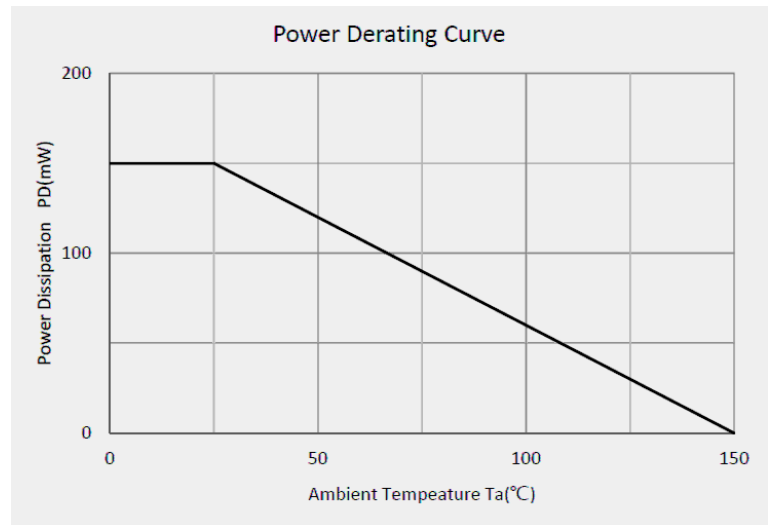
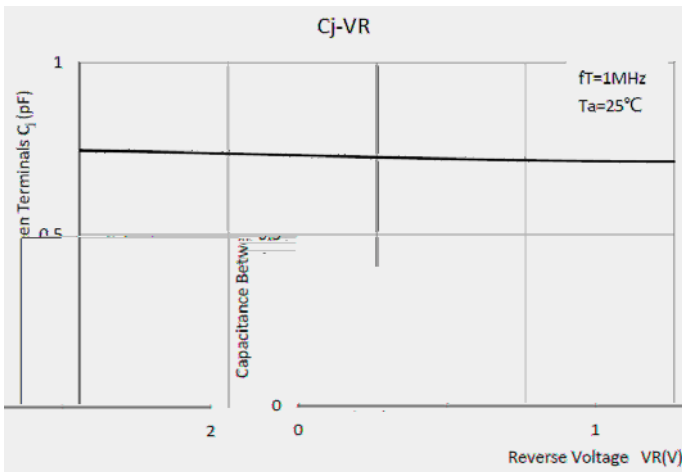
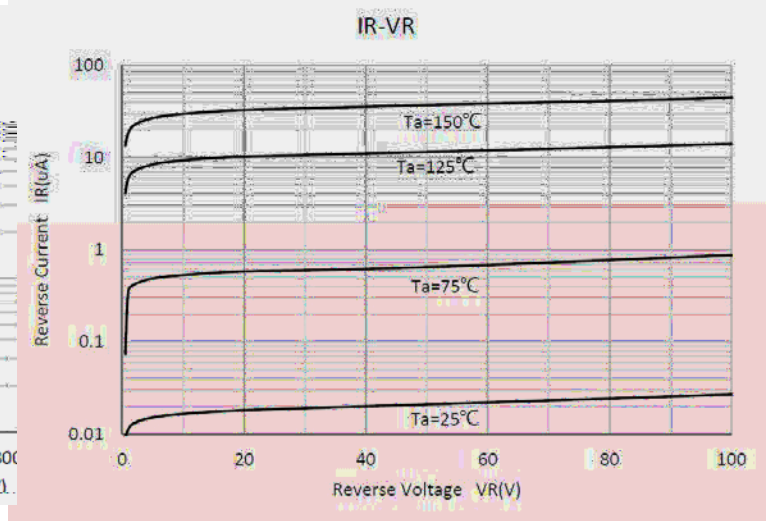
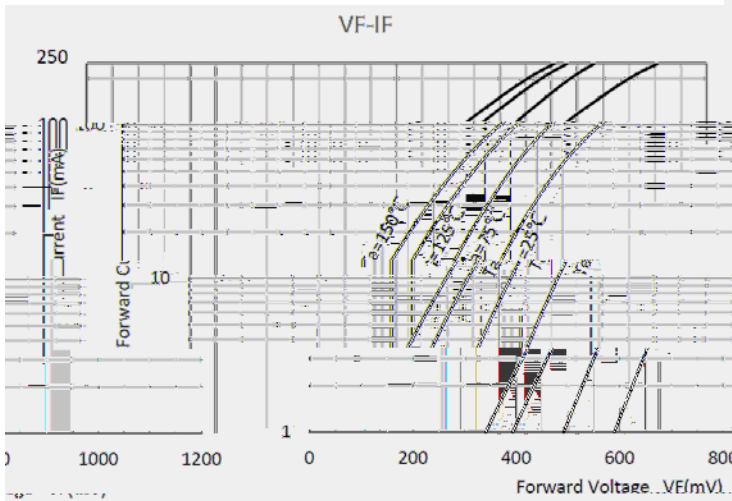


BAS16X

Ordering Information (Example)

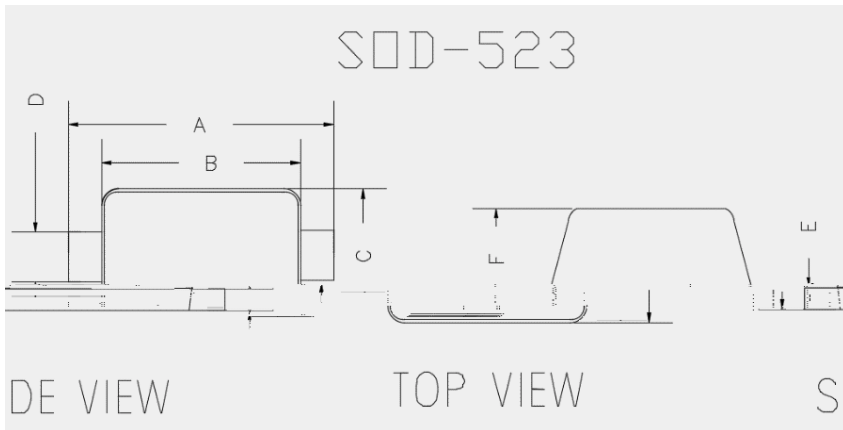
PREFERED P/N	PACKING CODE	UNIT WEIGHT(g)	MINIMUM PACKAGE(pcs)	INNER BOX QUANTITY(pcs)	OUTER CARTON QUANTITY(pcs)	DELIVERY MODE
BAS16X	F2	Approximate 0.002	8000	80000	320000	7" reel

Characteristics (Typical)



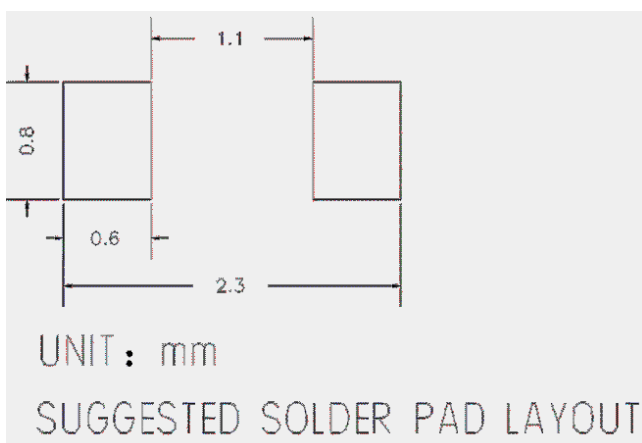


■ Outline Dimensions



DIMENSIONS				
DIM	INCHES		MM	
	MIN	MAX	MIN	MAX
A	0.059	0.067	1.500	1.700
B	0.043	0.051	1.100	1.300
C	0.010	0.014	0.250	0.350
D	0.002	0.008	0.050	0.200
E	0.020	0.028	0.500	0.700

Soldering Footprint





BAS16X

Disclaimer

The information presented in this document is for reference only. Yangzhou Yangjie Electronic Technology Co., Ltd. reserves the right to make changes without notice for the specification of the products displayed herein to improve reliability, function or design or otherwise.

The product listed herein is designed to be used with ordinary electronic equipment or devices, and not designed to be used with