

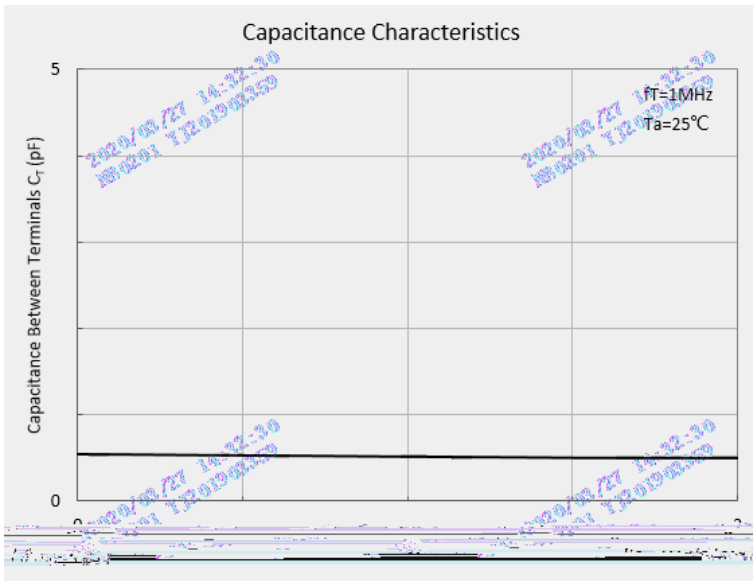
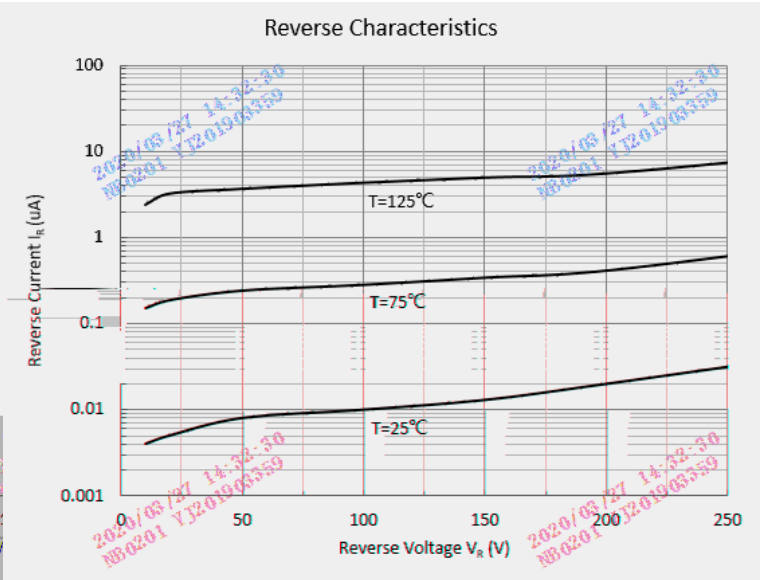
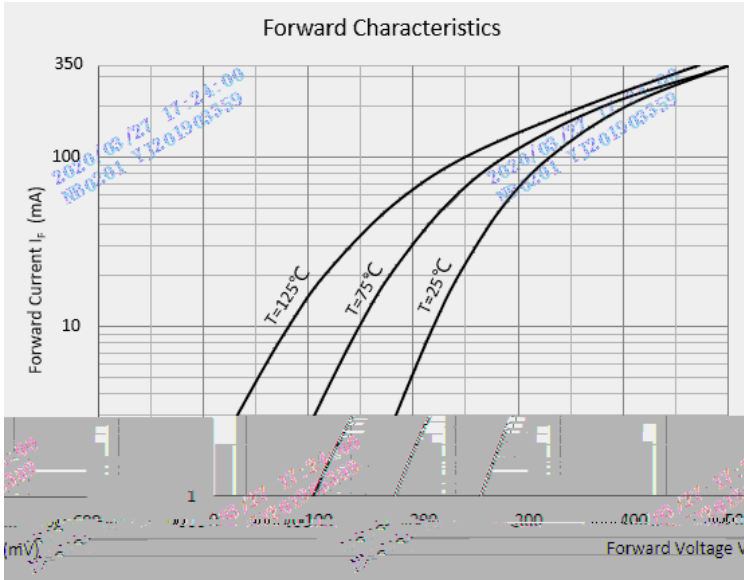


BAS21WS

Ordering Information

PREFERED P/N	PACKING CODE	UNIT WEIGHT(g)	MINIMUM PACKAGE(pcs)	INNER BOX QUANTITY(pcs)	OUTER CARTON QUANTITY(pcs)	DELIVERY MODE

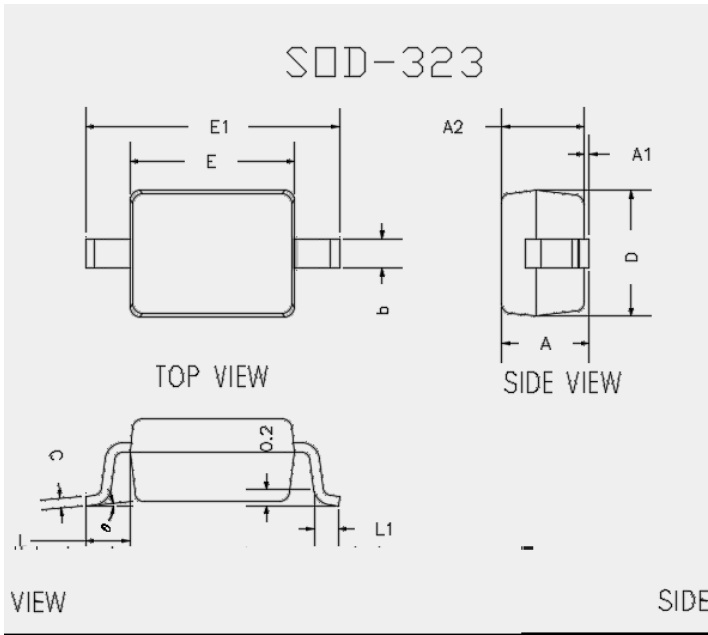
Characteristics





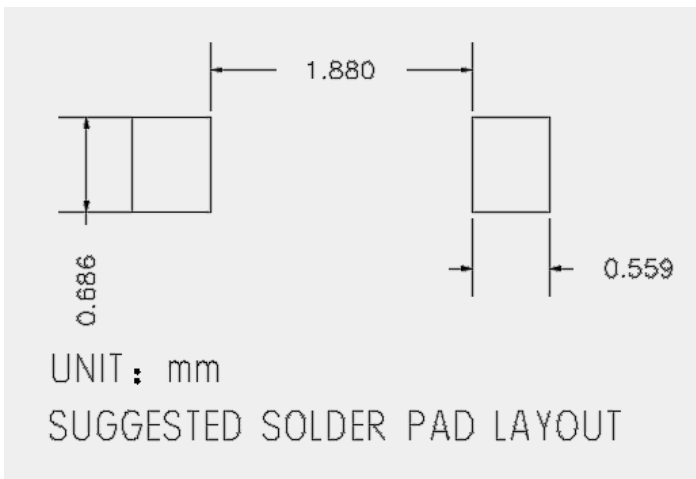
BAS21WS

Outline Dimensions



DIM	DIMENSIONS			
	INCHES		MM	
	MIN	MAX	MIN	MAX
A	---	0.0393	---	1.0000
A1	0.0000	0.0039	0.0000	0.1000
A2	0.0314	0.0354	0.8000	0.9000
b	0.0098	0.0157	0.2500	0.4000
D	0.0000	0.0059	0.0000	0.1500
E	0.0472	0.0551	1.2000	1.4000
E1	0.0629	0.0709	1.6000	1.8000
L1	0.0984	0.1063	2.5000	2.7000
L2	0.0187 TYP		0.475 TYP	
L	0.0098	0.0157	0.250	0.400
ø	0*	8*	0*	8*

Soldering Footprint





Disclaimer
