



BAS516

Small-Signal Fast Switching Diodes

Features

V_R 100V

I_{FAV} 250mA

Typical Applications

Extreme fast switches

Mechanical Data

Package: SOD523

Terminals: Tin plated leads, solderable per J-STD-002 and JESD22-B102

Polarity: Cathode line denotes the cathode end

Marking: 61

Maximum Ratings ($T_a=25$ Unless otherwise specified)

PARAMETER	SYMBOL	UNIT	Conditions	VALUE
Repetitive peak reverse voltage	V_{RRM}	V		100
Reverse voltage	V_R	V	$I_R=100\mu A$	100
Peak forward surge current	I_{FSM}	A	Pulse width=1 μs Pulse width=1 s	2 1
Non-repetitive peak forward surge current	I_{FSM}	A	8.3ms half sine-wave	1
Average forward current	I_{FAV}	mA		250
Power dissipation ^A	P_D	mW		250
Maximum junction temperature	T_j			-55 to +150
Storage temperature range	T_{stg}			-55 to +150

Note A. PCB : 20*15mm 7.8*9.6mm

Electrical Characteristics $T_a=25$ Unless otherwise specified

PARAMETER	Sy	S	M
Reverse Leakage Current	I_{R1}	nA	$V_R 1 \& 5V$
	$I_{R\&}$	μA	$V_R 1 + 5V$
Capacitance	C	pF	$V_R 1 \$ V \check{z} f 1 1MH n$
	T_{rr}	ns	$IF 1 IR 1 1 \$ mA r r=0.1 * IR, RL=100$

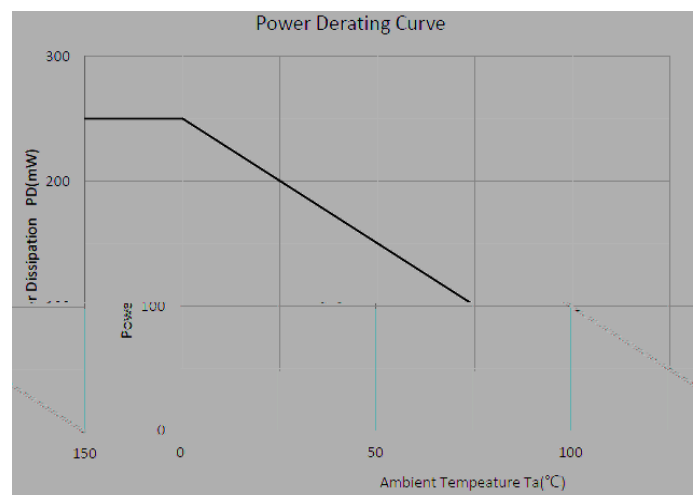
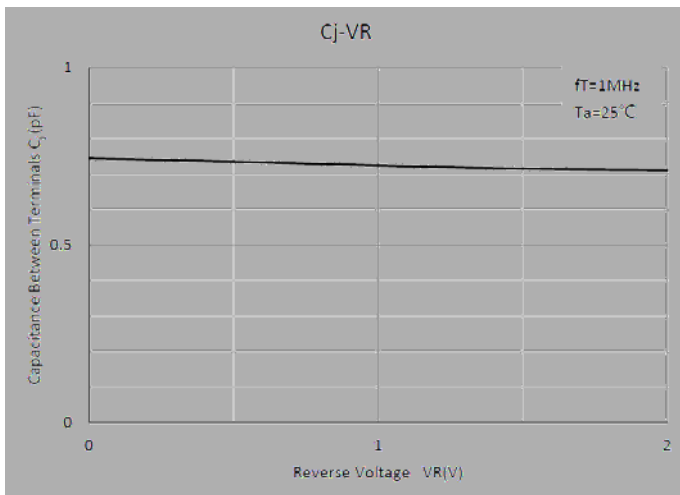
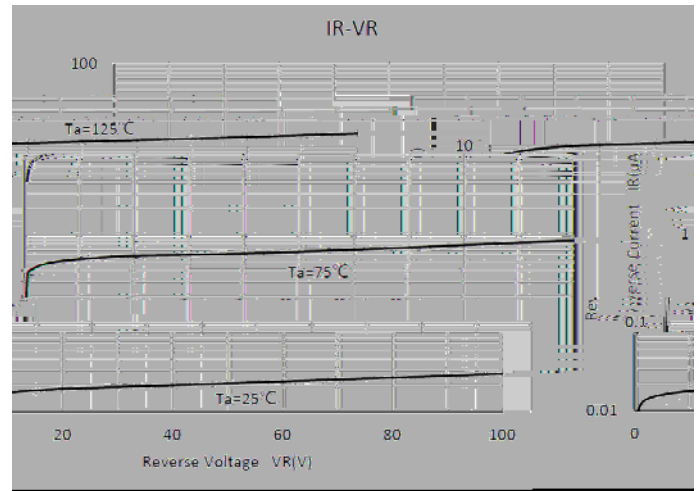
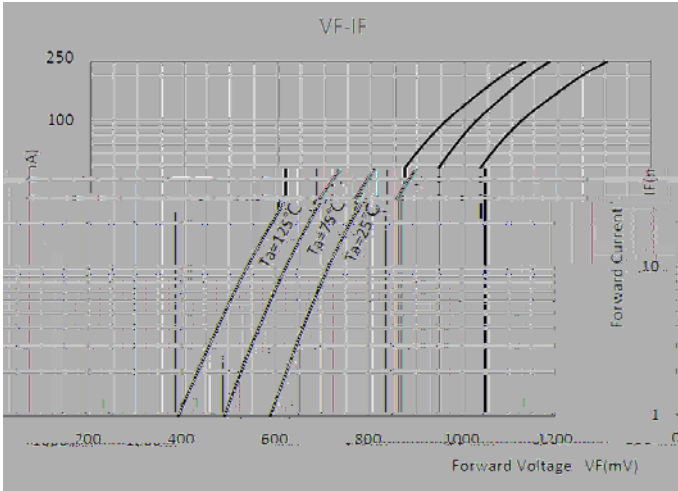


BAS516

Ordering Information (Example)

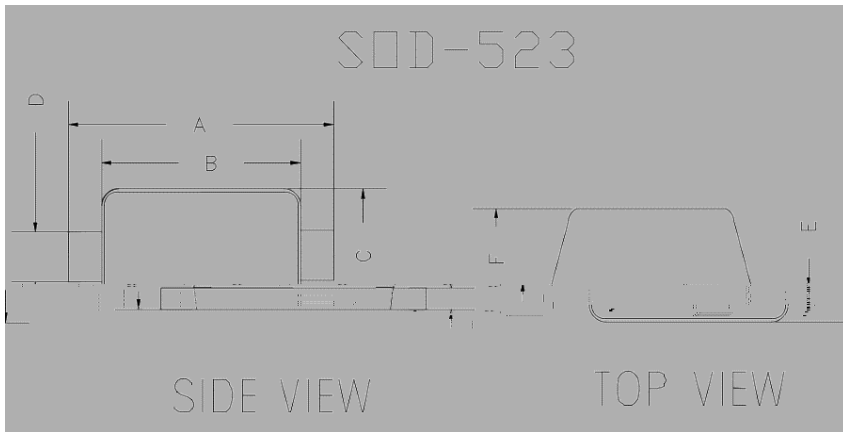
PREFERRED P/N	PACKING CODE	UNIT WEIGHT(g)	MINIMUM PACKAGE(pcs)	INNER BOX QUANTITY(pcs)	OUTER CARTON QUANTITY(pcs)	DELIVERY MODE
BAS516	F2	Approximate 0.002	8000	80000	320000	7" reel

Characteristics (Typical)



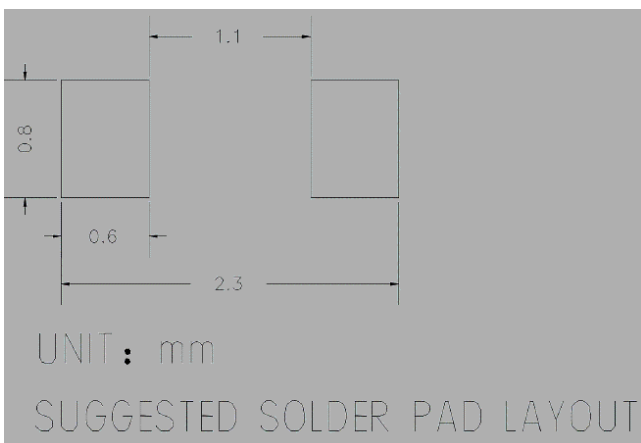


Outline Dimensions



DIMENSIONS				
DIM	INCHES		MM	
	MIN	MAX	MIN	MAX
A	0.059	0.067	1.500	1.700
B	0.043	0.051	1.100	1.300
0.035	0.700	0.900	D	0.028
0.014	0.250	0.350	D	0.010
0.008	0.050	0.200	E	0.002
0.028	0.500	0.700	F	0.020

Soldering Footprint





BAS516

Disclaimer

The information presented in this document is for reference only. Yangzhou Yangjie Electronic Technology Co., Ltd. reserves the right to make changes without notice for the specification of the products displayed herein to improve reliability, function or design or otherwise.

The product listed herein is designed to be used with ordinary electronic equipment or devices, and not designed to be used with equipment or devices which require high level of reliability and the malfunction of which would directly endanger human life (such as medical instruments, transportation equipment, aerospace machinery, nuclear-reactor controllers, fuel controllers and other safety devices), Yangjie or anyone on its behalf, assumes no responsibility or liability for any damages resulting from such improper use of sale.

This publication supersedes & replaces all information previously supplied. For additional information, please visit our website [http:// www.21yangjie.com](http://www.21yangjie.com) , or consult your nearest Yangjie's sales office for further assistance.