

- Moisture sensitivity level 1
- Reverse voltage 100V/150V/200V
- Average forward current 0.2A
- High frequency rectifier
- Signal switching

- SOD-123
- Tin plated leads, solderable per J-STD-002 and JESD22-B102

(T<sub>a</sub>=25 Unless otherwise specified)

Device marking code			BAV19W	A8
			BAV20W	T2
			BAV21W	T3
Repetitive peak reverse voltage	V <sub>RRM</sub>	V	BAV19W	120
			BAV20W	200
			BAV21W	250
Forward current	I <sub>F</sub>	A	0.2	
Non-repetitive surge peak forward current @ t=8.3ms half-sine wave	I <sub>FSM</sub>	A	2	
Non-repetitive surge peak forward current @ t=1ms square wave			2.5	
Non-repetitive surge peak forward current @ t=1s square wave			1	
Power dissipation	P <sub>D</sub>	mW	400	



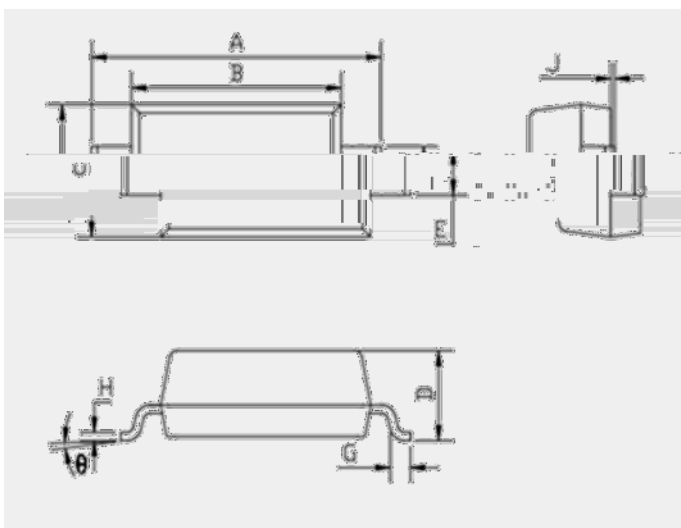
Junction temperature	$T_J$		-65 to +150
Storage temperature	$T_{STG}$		-65 to +150

--	--	--	--	--	--	--

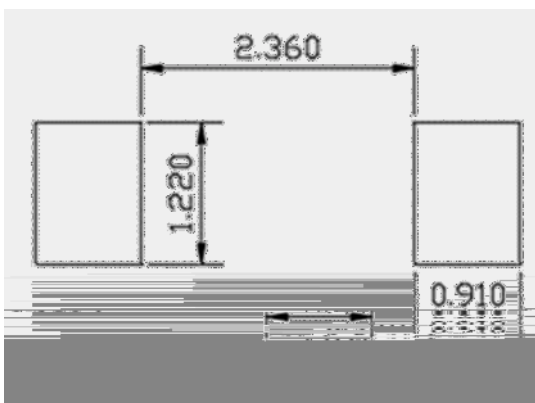




BAV19W THRU BAV21W	F2	Approximate 0.011	3000	30000	120000	7" reel
BAV19W THRU BAV21W	F3	Approximate 0.011	10000	/	210000	13" reel



DIMENSIONS				
DIM	INCHES		MM	
	MIN	MAX	MIN	MAX
A	0.140	0.152	3.550	3.850
B	0.100	0.112	2.550	2.850
C	0.055	0.071	1.400	1.800
D	0.037	0.053	0.950	1.350
E	0.020	0.025	0.510	0.710
F	0.450	0.006	0.018	0.150
G	0.250	0.003	0.000	0.080
H	0.150	0.000	0.006	0.000
theta	8°	0	8°	0





The information presented in this document is for reference only. Yangzhou Yangjie Electronic Technology Co., Ltd. reserves the right to make changes without notice for the specification of the products displayed herein to improve reliability, function, or design or otherwise.

The product listed herein is designed to be used with ordinary electronic equipment or devices, and not designed to be used with equipment or devices which require high level of reliability and the malfunction of which would directly endanger human life (such as medical instruments, transportation equipment, aerospace machinery, nuclear-reactor controllers, fuel controllers and other safety devices), Yangjie or anyone on its behalf, assumes no responsibility or liability for any damages resulting from such improper use of sale.

This publication supersedes & replaces all information previously supplied. For additional information, please visit our website [http:// www.21yangjie.com](http://www.21yangjie.com) , or consult your nearest Yangjie's sales office for further assistance.