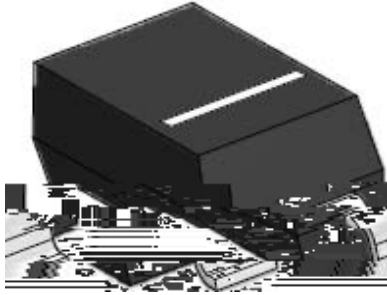




# BAV19WS THRU BAV21WS

## Small-Signal Switching Diodes

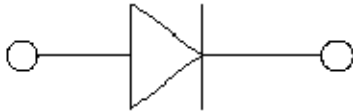
### Features



### Typical Applications

### Mechanical Data

Package  
Terminals



Polarity:


### Maximum Ratings

PARAMETER	SYMBOL	UNIT	Conditions	VALUE

### Electrical Characteristics

PARAMETER	SYMBOL	UNIT	Conditions	VALUE


%\$9 :6 7+58 %\$9 :6

v2 UGHULQJ , QIRUPPSQLHRQ

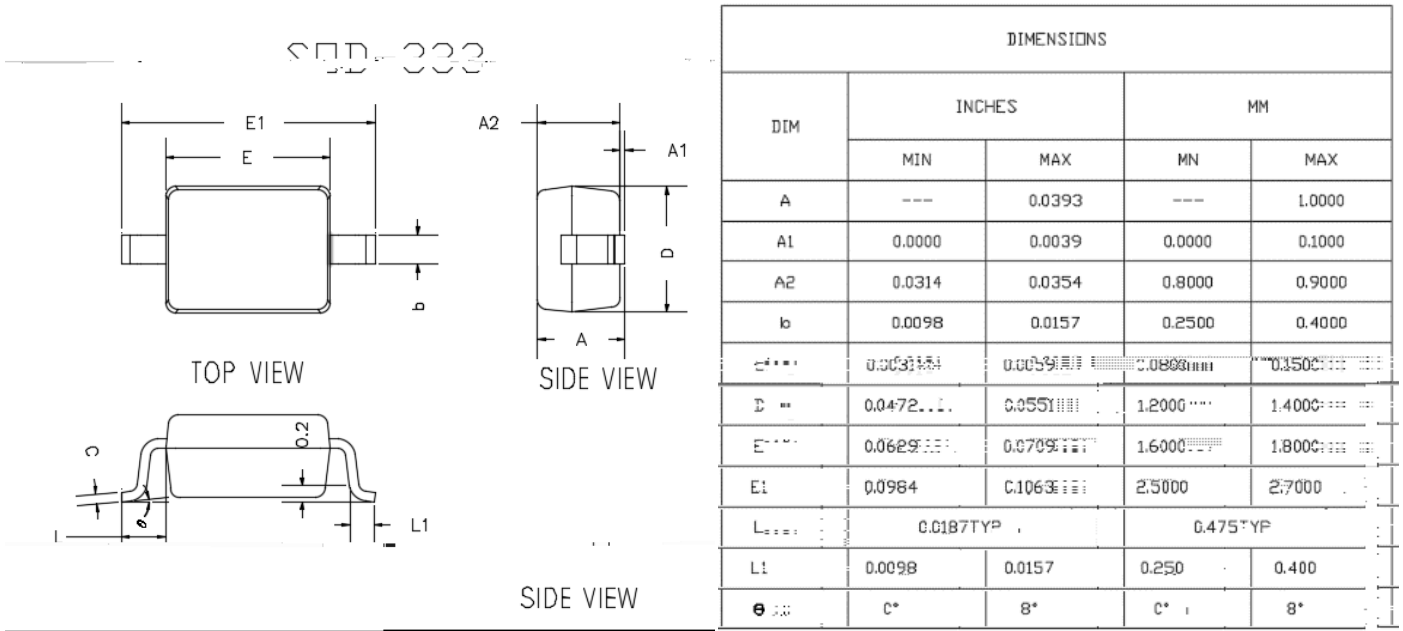
35() (5(' 3 1	3\$&., 1* &2' (	81,7 : (, *+7	0,1,080 3\$&..\$* ( S	,11(5 %2; 48\$17,7< S	287(5 &\$57 48\$17,7< S	'(/,9(5< 02' (
%\$9 :6 7+58 %\$9	:6 )	\$SSUR[L	P DWH			UHHO

v&KDUDFWHUISLVWIDOV

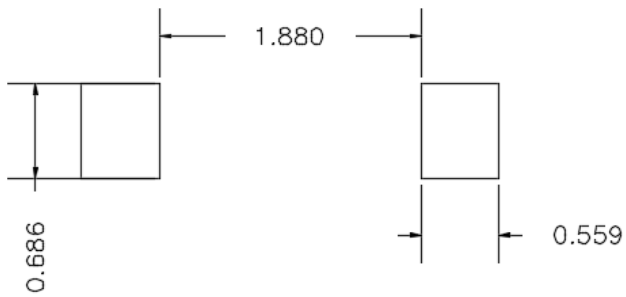


# BAV19WS THRU BAV21WS

## Outline Dimensions



## Soldering Footprint



UNIT: mm

SUGGESTED SOLDER PAD LAYOUT



## BAV19WS THRU BAV21WS

---

Disclaimer

---

---