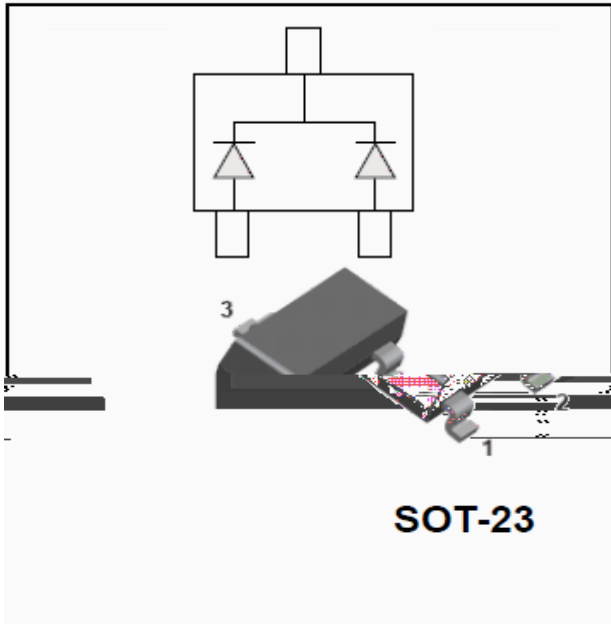




BAV70

RoHS
COMPLIANT

Dual Switching Diode



Features

Mechanical Dimensions
Package
Terminals
Polarity:
Marking:

Maximum Ratings

Symbol	Unit	Value

Ordering Information

PREFERRED P/N	PACKING CODE	UNIT WEIGHT(g)	MINIMUM PACKAGE(pcs)	INNER BOX QUANTITY(pcs)	OUTER CARTON QUANTITY(pcs)	DELIVERY METHOD

v(OHFWULFDO & KDUDFWHUVLFRWKHUZLVH ÅSHFLILHG 3HU /HJ

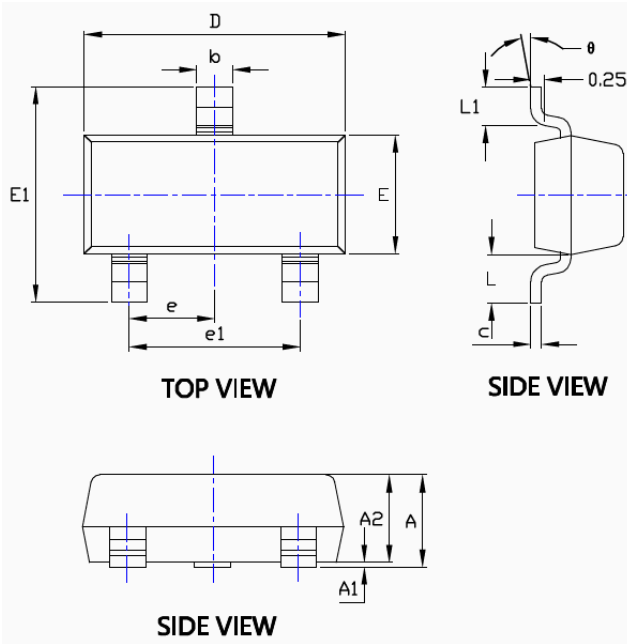
,WHP	6\PERO	8QLW	&RQGLWLRQV	9DOXH
5HYHUVH 9ROWDJH	5	9	,5 X\$	
0D[LPXP ,QVWDQWDQHRXV)RUZDUG 9ROWDJH		9)0 P\$	
		9)0 P\$	
		9)0 P\$	
		9)0 P\$	
0D[LPXP '& 5HYHUVH &XUUHQW	5		, 5 9 X \$	9
7\SLFDO -XQFWLRQ &DSDFLWDQFH .		S)	I & 0+ 9	
5HYHUVH 5HFRYHU\ 7LPH	UU	7) P\$ 9 Q 5 V ,UU P\$	

v 7\SLFDO & KDUDFWHUVLFRWKHUZLVH



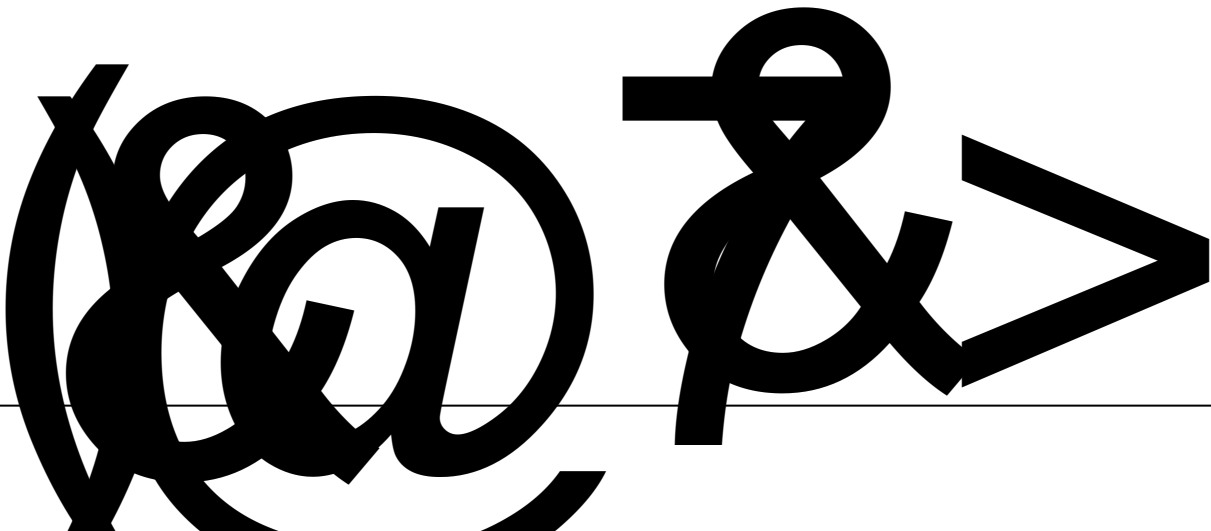
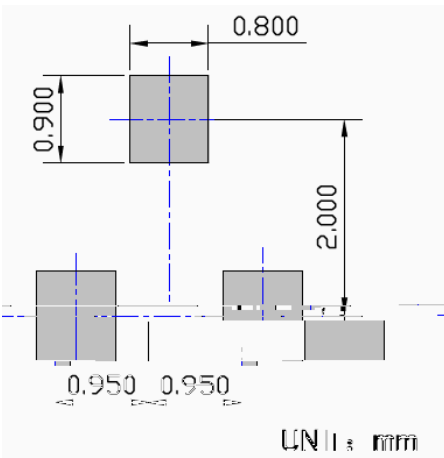
BAV70

SOT-23 Package Outline Dimensions



SYMBOL	DIMENSIONS	
	INCHES	Millimeter
0.045	0.500	1.250
0.004	0.000	0.100
0.041	0.900	1.050
0.020	0.800	0.500
0.008	0.100	0.200
0.116	2.300	3.500
0.065	1.200	1.400
0.100	2.250	2.350
0.950 TYP	0.950 TYP	
0.079	1.800	2.000
0.550 REF	0.550 REF	
0.020	0.300	0.500
8°	0°	8°

SOT-23 Soldering Footprint





BAV70

Disclaimer

