



Application

-
-

- **Terminals**

Maximum Ratings

Parameter	Symbol	Unit	Value



BAV99

RoHS
COMPLIANT

	Symbol	Unit	Conditions	Min	Typ	Max



Characteristics

Fig 1 Pb-Ta Curve

Fig 2 Capacitance Capability

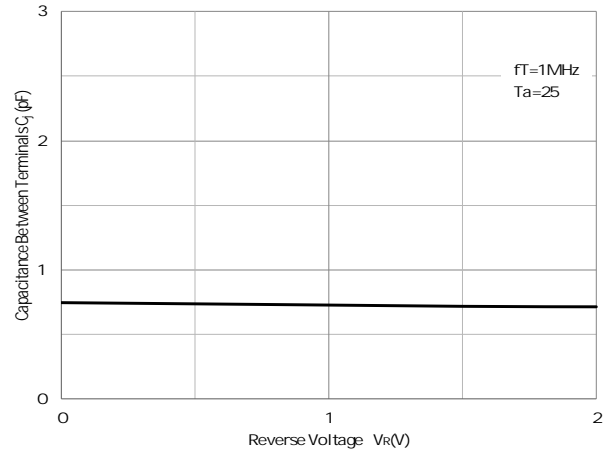
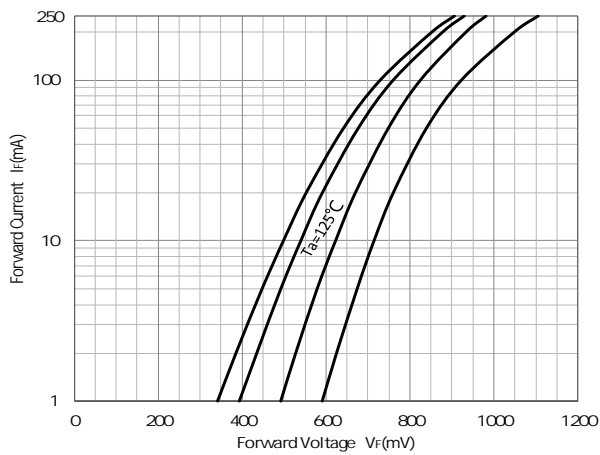


Fig 3 Typical Forward Characteristics

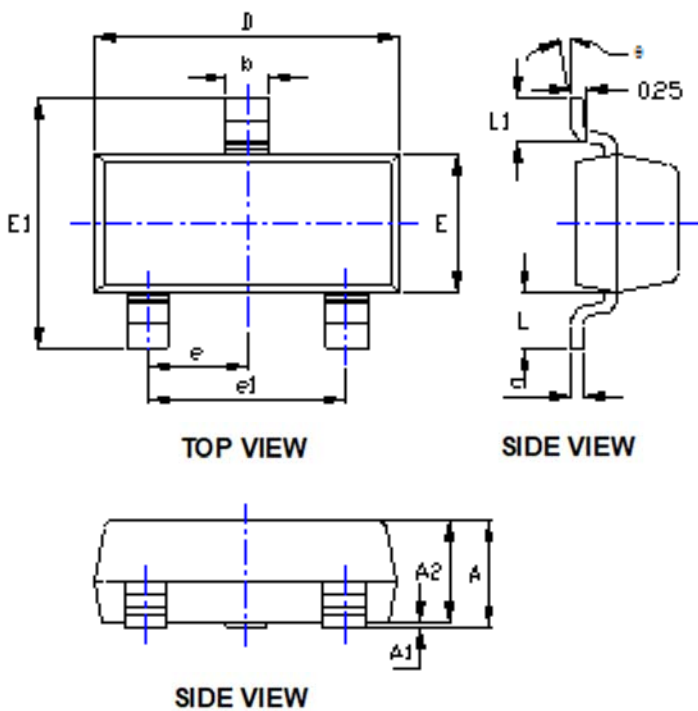
Fig 4 Typical Reverse Characteristics



Ordering Information

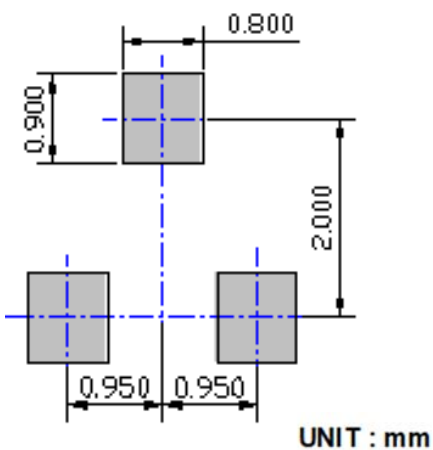
Preferred P/N	Packing code	Unit weight(g)	Minimum package(pcs)	Inner box quantity(pcs)	Outer carton quantity (pcs)	Delivery mode

Outline Dimensions



SYMBOL	DIMENSIONS			
	INCHES		Millimeter	
	MIN.	MAX.	MIN.	MAX.
A	0.035	0.045	0.900	1.150
A1	0.000	0.004	0.000	0.100
A2	0.035	0.041	0.900	1.050
b	0.012	0.020	0.300	0.500
c	0.004	0.008	0.100	0.200
D	0.110	0.118	2.800	3.000
E	0.047	0.055	1.200	1.400
E1	0.089	0.100	2.250	2.550
e	0.037TYP		0.950TYP	
e1	0.071	0.079	1.800	2.000
L	0.022REF		0.550REF	
L1	0.012	0.020	0.300	0.500
θ	0°	8°	0°	8°

Suggested Pad Layout





BAV99

RoHS
COMPLIANT

Disclaimer

