

- Moisture sensitivity level 1
- Reverse voltage 75V
- Average forward current 150mA

- High frequency and low voltage rectifier

- SOT-363
- Tin plated leads, solderable per J-STD-002 and JESD22-B102

($T_a=25$ Unless otherwise specified)

Device marking code			KJG
Repetitive peak reverse voltage	V_{RRM}	V	75
Forward current	I_F	mA	150
Non-repetitive Surge peak forward current @ $t=8.3ms$ half-sine wave	I_{FSM}	A	1
Non-repetitive Surge peak forward current @ $t=1ms$ square wave			1.5
Power dissipation	P_D	mW	200
Junction temperature	T_J		-55 to +150
Storage temperature	T_{STG}		-55 to +150

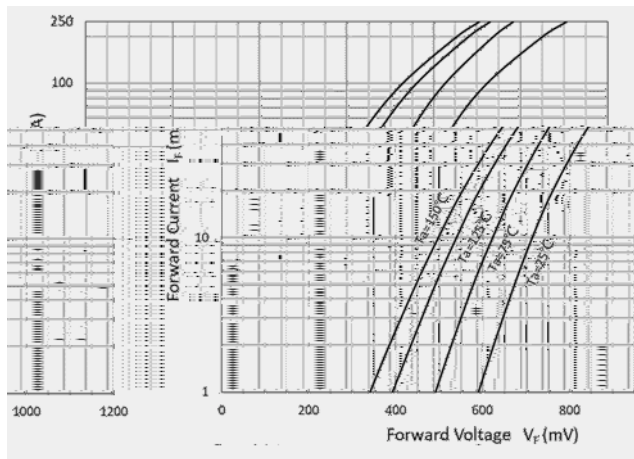
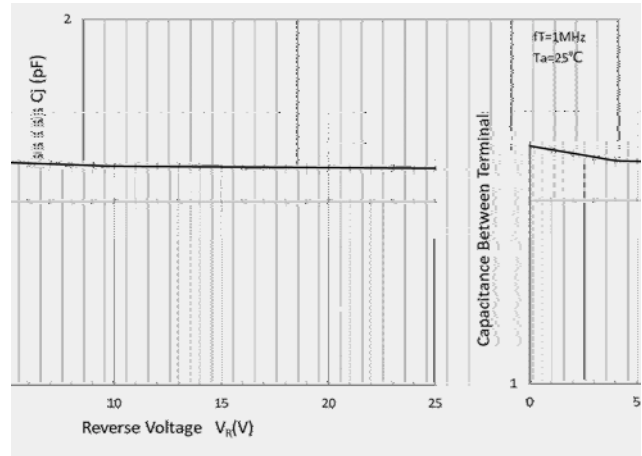
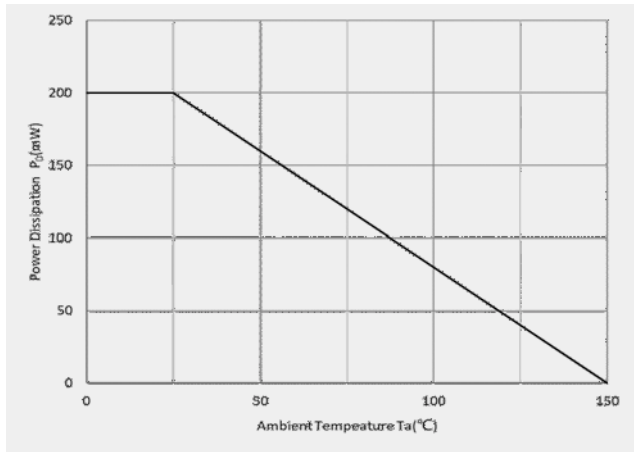
(T_a=25 Unless otherwise specified)

Reverse voltage	V _R	V	I _R =0.1mA	75		
Forward voltage	V _{F1}	V	I _F =1mA			0.715
	V _{F2}	V	I _F =10mA			0.855
	V _{F3}	V	I _F =50mA			1
	V _{F4}	V	I _F =150mA			1.25
Reverse leakage current	I _{R1}	uA	V _R =20V			0.025
	I _{R2}	uA	V _R =75V			2.5
Junction capacitance	C _j	pF	V _R =0V, f=1MHz		2	
Reverse recovery time	T _{rr}	ns	I _F =10mA, I _{rr} =0.1I _R , R _L =100		4	

Thermal resistance, junction-to-ambient	R _{J-A} ⁽¹⁾	/W	625
Thermal resistance, junction-to-case	R _{J-C} ⁽¹⁾	/W	500

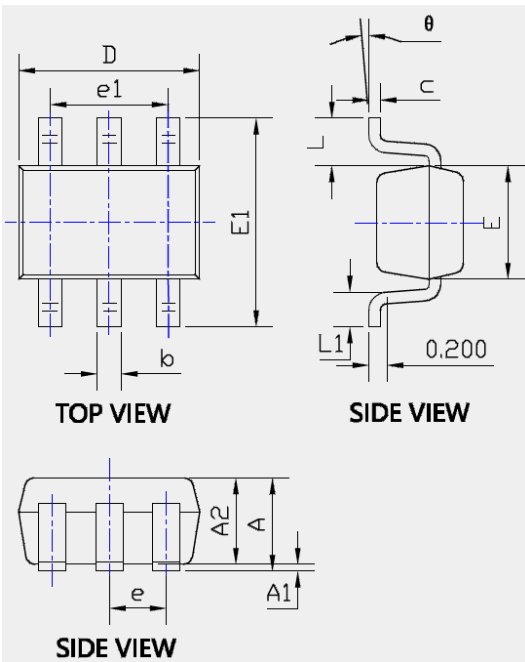
Note:

1 Device mounted on PCB, single-sided copper with standard footprint

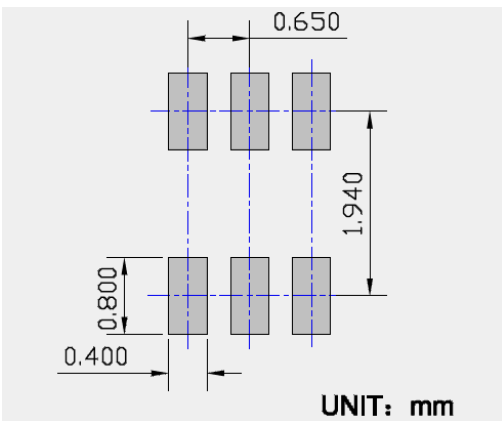




BAV99DW	F2	Approximate 0.009	3000	30000	120000	7" reel
BAV99DW	F3	Approximate 0.009	10000	/	210000	7" reel



SYMBOL	DIMENSIONS			
	INCHES		Millimeter	
	MIN.	MAX.	MIN.	MAX.
A	0.035	0.043	0.900	1.100
A1	0.000	0.004	0.000	0.100
A2	0.035	0.039	0.900	1.000
b	0.006	0.014	0.150	0.350
c	0.004	0.010	0.100	0.250
D	0.071	0.087	1.800	2.200
e	0.025 TYP		0.650 TYP	
e1	0.017	0.033	0.400	0.800
L1	0.021 REF		0.525 REF	
L1	0.010	0.018	0.260	0.460
theta	0°	8°	0°	8°





The information presented in this document is for reference only. Yangzhou Yangjie Electronic Technology Co., Ltd. reserves the right to make changes without notice for the specification of the products displayed herein to improve reliability, function, or design or otherwise.

The product listed herein is designed to be used with ordinary electronic equipment or devices, and not designed to be used with equipment or devices which require high level of reliability and the malfunction of which would directly endanger human life (such as medical instruments, transportation equipment, aerospace machinery, nuclear-reactor controllers, fuel controllers and other safety devices), Yangjie or anyone on its behalf, assumes no responsibility or liability for any damages resulting from such improper use of sale.

This publication supersedes & replaces all information previously supplied. For additional information, please visit our website [http:// www.21yangjie.com](http://www.21yangjie.com) , or consult your nearest Yangjie's sales office for further assistance.