



MIMBD3004S



Moisture sensitivity level 1

- Moisture sensitivity level 1
- Reverse voltage 300V
- Average forward current 225mA

Signal switching

- Signal switching
- High frequency rectifier

SOT-23

- SOT-23
- Tin plated leads, solderable per J-STD-002 and JESD22-B102

($T_a=25$ Unless otherwise specified)

Parameter	Symbol	Unit	Value
Device marking code			4P
Repetitive peak reverse voltage	V_{RRM}	V	350
Forward current	I_F	mA	225
Non-repetitive Surge peak forward current @ $t=1\mu s$	I_{FSM}	A	4
Non-repetitive Surge peak forward current @ $t=1s$			1
Power dissipation	P_D	mW	350
Junction temperature	T_J		-55 to +150
Storage temperature	T_{STG}		-55 to +150

**frcfb nœc** ($T_a=25$ Unless otherwise specified)

gn	Mjif	hø	ihöh	ca		
Reverse voltage	V_R	V	$I_R=150\mu A$	350		
Forward voltage	V_{F1}	V	$I_F=20mA$			0.87
	V_{F2}	V	$I_F=100mA$			1
	V_{F3}	V	$I_F=200mA$			1.25
Reverse leakage current	I_R	nA	$V_R=240V$			100
Junction capacitance	C_j	pF	$V_R=0V, f=1MHz$			5
Reverse recovery time	T_{rr}	ns	$I_F=30mA$ $I_R=30mA$ $R_L=100$ $I_{rr}=3mA$			50

bgfb nœc

gn	Mjif	hø	Pb
Thermal resistance, junction-to-ambient	$R_{J-A}^{(1)}$	/W	357
Thermal resistance, junction-to-case	$R_{J-C}^{(1)}$	/W	286

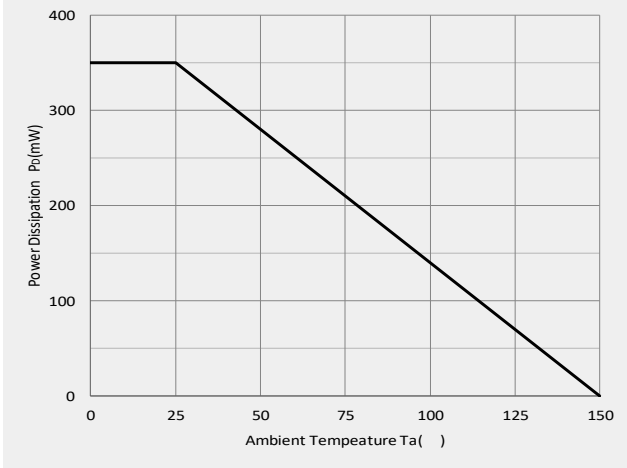
Note:

- 1 Device mounted on PCB, single-sided copper with standard footprint

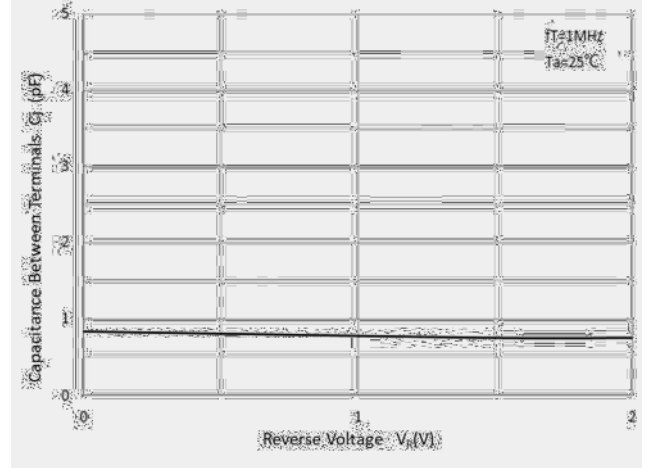


b noœ

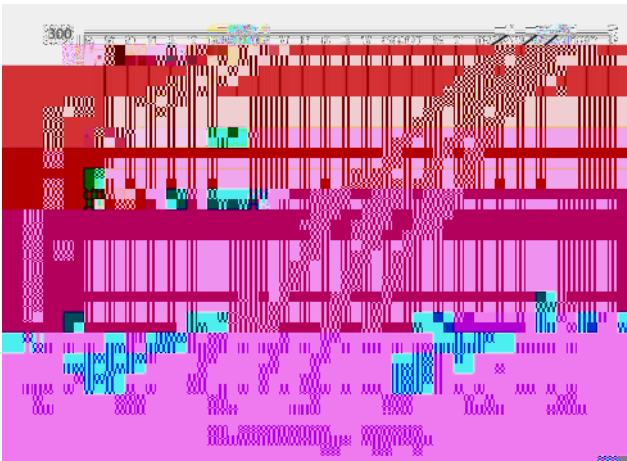
a o



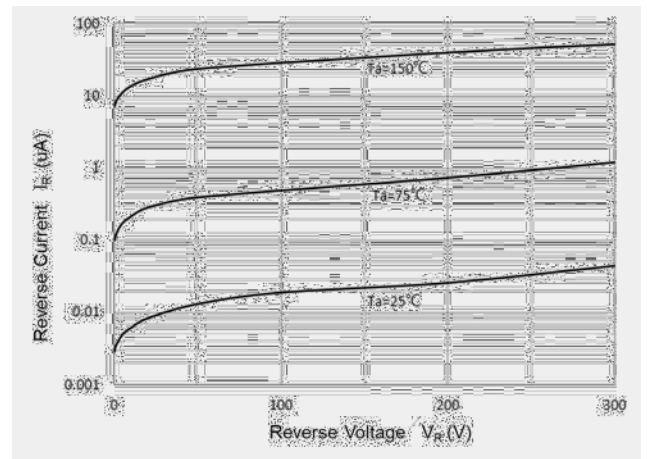
a ch a



a cfi b noœ



a cL b noœ

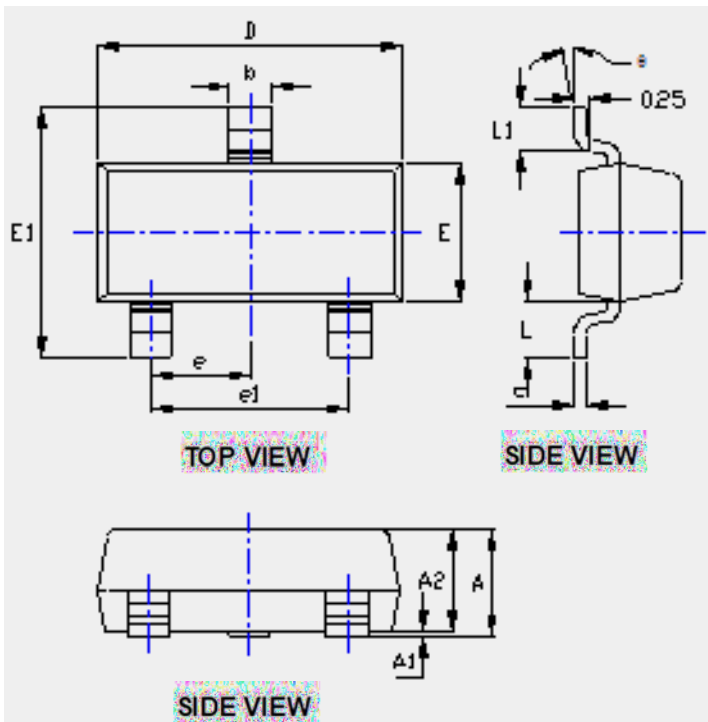




Thông tin

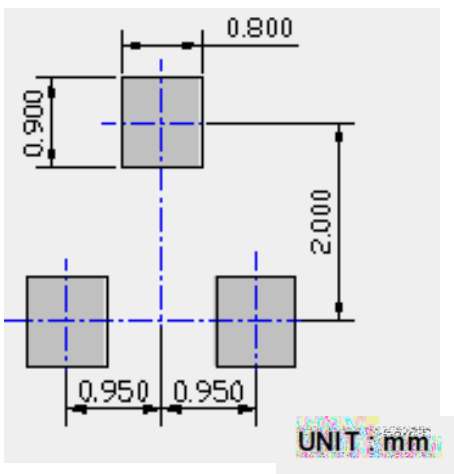
	Loại	Loại	Loại	Loại	Loại	Loại
MMBD3004S	F2	Approximate 0.008	3000	30000	120000	7" reel
MMBD3004S	F4	Approximate 0.008	10000	/	210000	13" reel

Thông tin



SYMBOL	DIMENSIONS			
	INCHES		Millimeter	
	MIN.	MAX.	MIN.	MAX.
A	0.035	0.045	0.900	1.150
A1	0.000	0.004	0.000	0.100
A2	0.035	0.041	0.900	1.050
b	0.012	0.020	0.300	0.500
c	0.004	0.008	0.100	0.200
D	0.110	0.118	2.800	3.000
E	0.047	0.055	1.200	1.400
E1	0.089	0.100	2.250	2.550
e	0.037TYP		0.950TYP	
e1	0.071	0.079	1.800	2.000
L	0.022REF		0.550REF	
L1	0.012	0.020	0.300	0.500
θ	0°	8°	0°	8°

Man Fia





The information presented in this document is for reference only. Yangzhou Yangjie Electronic Technology Co., Ltd. reserves the right to make changes without notice for the specification of the products displayed herein to improve reliability, function, or design or otherwise.

The product listed herein is designed to be used with ordinary electronic equipment or devices, and not designed to be used with equipment or devices which require high level of reliability and the malfunction of which would directly endanger human life (such as medical instruments, transportation equipment, aerospace machinery, nuclear-reactor controllers, fuel controllers and other safety devices), Yangjie or anyone on its behalf, assumes no responsibility or liability for any damages resulting from such improper use of sale.

This publication supersedes & replaces all information previously supplied. For additional information, please visit our website [http:// www.21yangjie.com](http://www.21yangjie.com) , or consult your nearest Yangjie's sales office for further assistance.