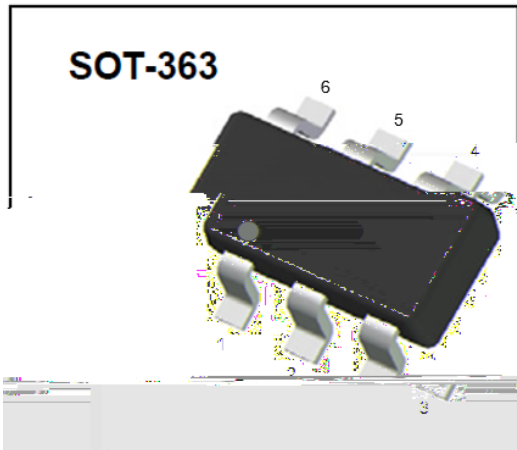




Switching Diodes



Features

Epoxy meets UL-94 V-0 flammability rating
 Surface mount package ideally Suited for Automatic Insertion
 Moisture Sensitivity Level 1

Mechanical Data

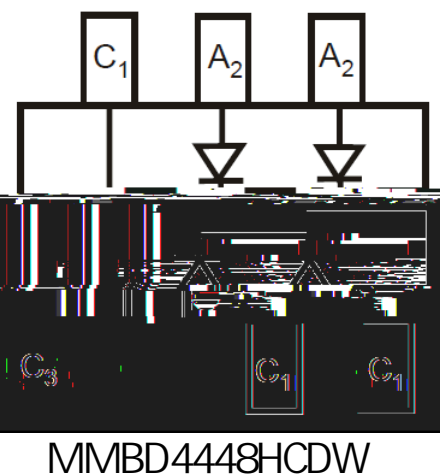
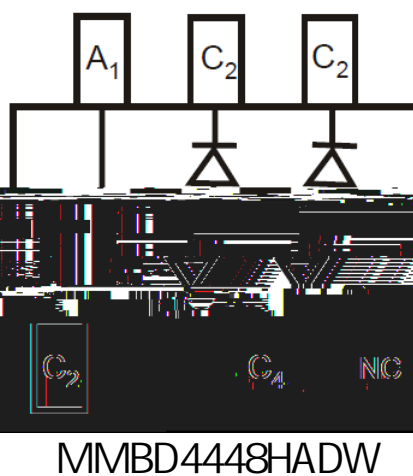
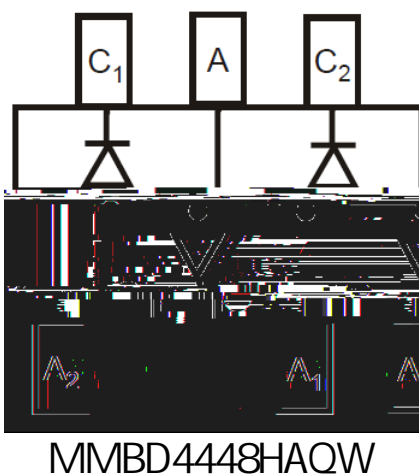
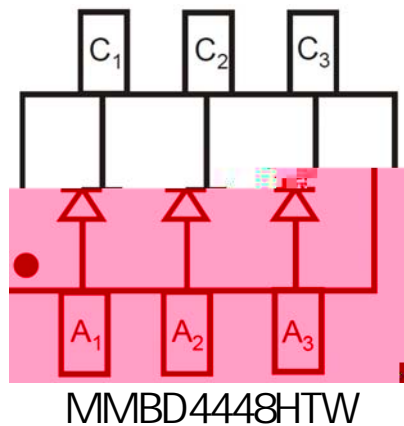
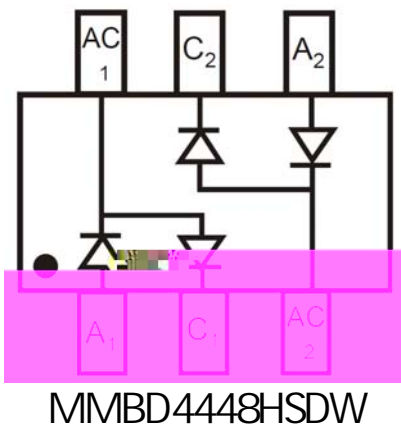
Package: SOT-363

Terminals: Tin plated leads, solderable per J-STD-002 and JESD22-B102

Marking:

MMBD4448HSDW	KAB
MMBD4448HTW	KAA
MMBD4448HAQW	KA5
MMBD4448HADW	KA6
MMBD4448HCDW	KA7

Equivalent circuit





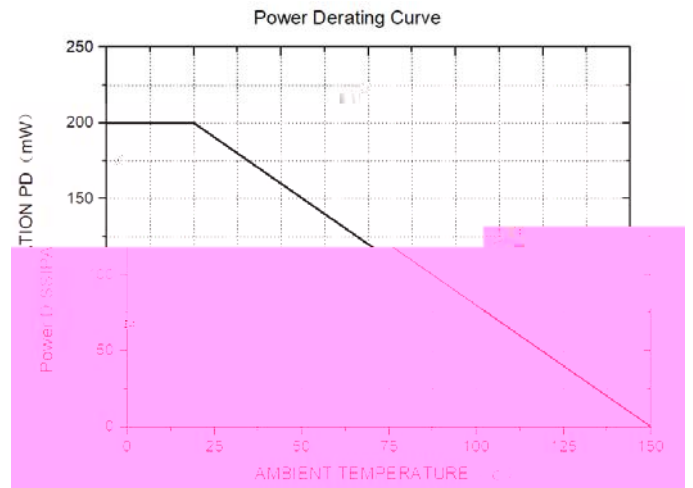
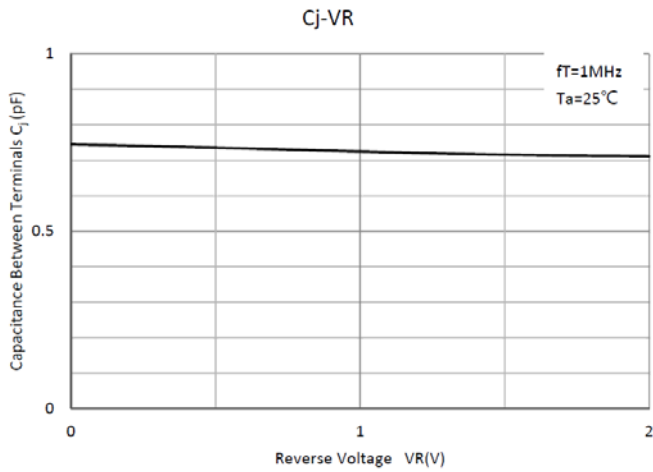
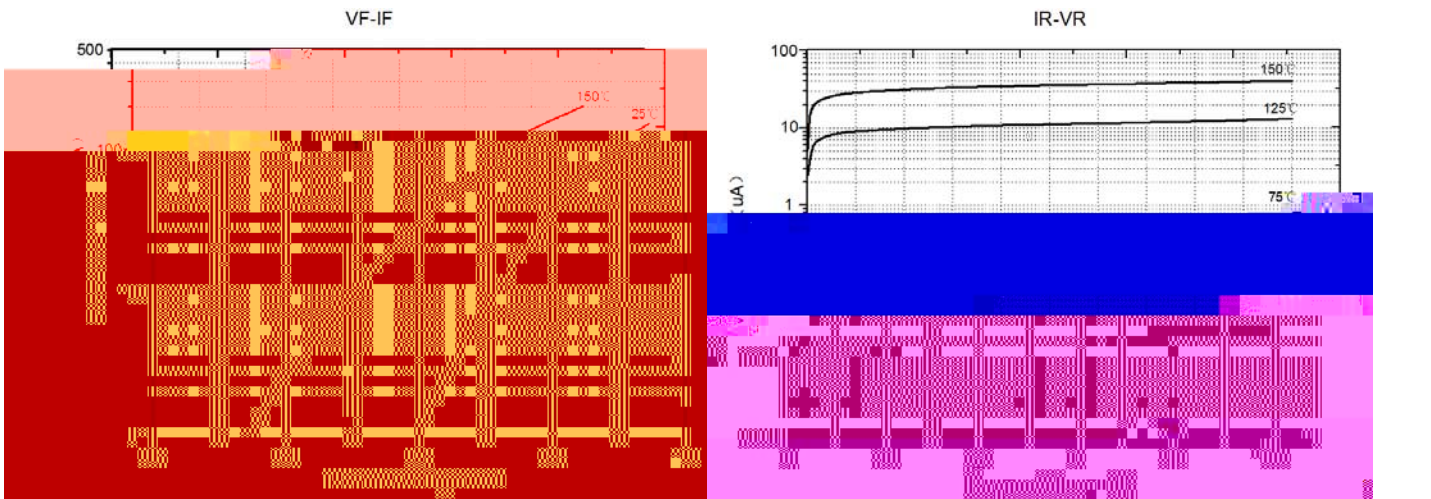
MMBD4448 HSDW/ HTW/ HAQW/ HADW/ HCDW

Maximum Ratings (Ta=25 Unless otherwise specified)

PARAMETER	SYMBOL	UNIT	Conditions	VALUE
Non-Repetitive peak reverse voltage	V_{RM}	V		100
Repetitive peak reverse voltage	V_{RRM}	V		80
Reverse voltage	V_R	V		80
Peak forward surge current	I_{FSM}	A	Pulse width=1 us Pulse width=1 s	2 0.5
Average forward current	I_{FAV}	mA		150
Power dissipation	P_D	mW		200
Thermal Resistance Junction to Ambient Air	R_{JA}	/W		625
Maximum junction temperature	T_j			-55 ~+150
Storage temperature range	T_{stg}			-55 ~+150



Characteristics (Typical)





Disclaimer

The information presented in this document is for reference only. Yangzhou Yangjie Electronic Technology Co., Ltd. reserves the right to make changes without notice for the specification of the products displayed herein to improve reliability, function or design or otherwise.

The product listed herein is designed to be used with ordinary electronic equipment or devices, and not designed to be used with equipment or devices which require high level of reliability and the malfunction of which would directly endanger human life (such as medical instruments, transportation equipment, aerospace machinery, nuclear-reactor controllers, fuel controllers and other safety devices), Yangjie or anyone on its behalf, assumes no responsibility or liability for any damages resulting from such improper use of sale.

This publication supersedes & replaces all information previously supplied. For additional information, please visit our website [http:// www.21yangjie.com](http://www.21yangjie.com) , or consult your nearest Yangjie's sales office for further assistance.