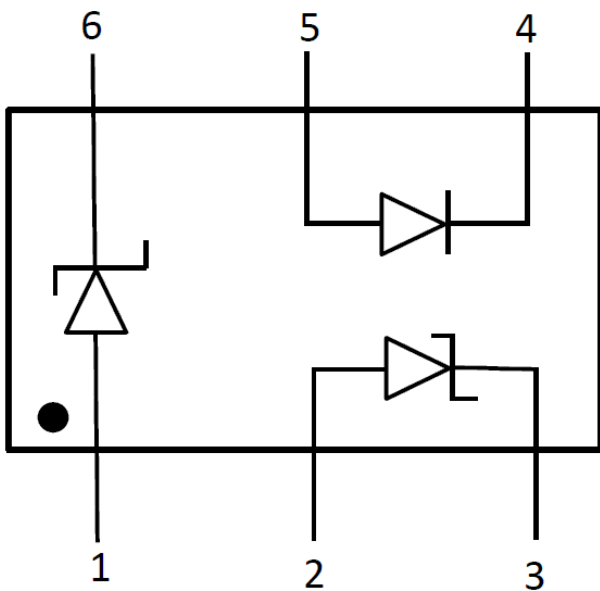


1. Anode
2. Anode
3. Cathode
4. Cathode
5. Anode
6. Cathode

Epoxy meets UL-94 V-0 flammability rating
Surface mount package ideally Suited for Automatic Insertion
Moisture Sensitivity Level 1

SOT-363
Tin plated leads, solderable per
J-STD-002 and JESD22-B102
13C48





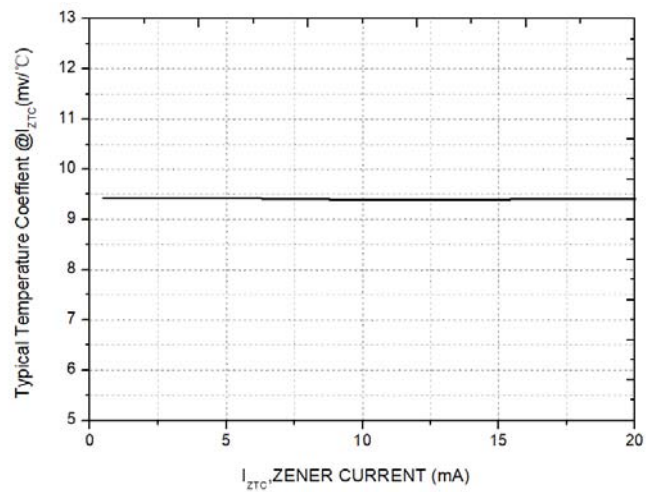
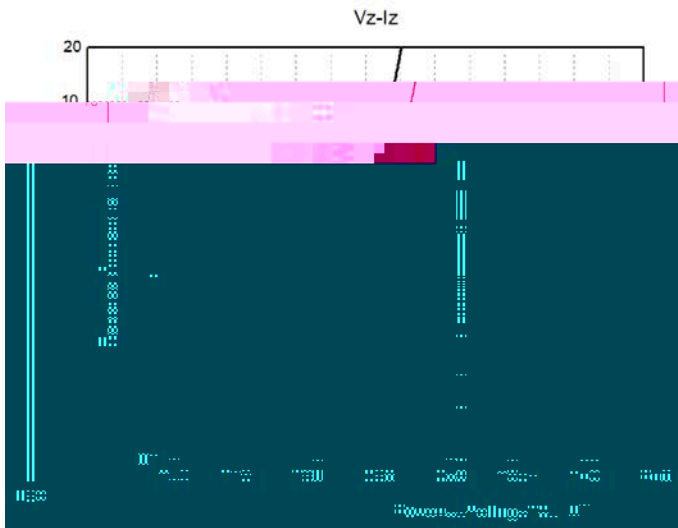
(Ta=25 unless otherwise specified)

Breakdown Voltage	V_R	V	$I_R=100\mu A$	100	-
Forward Voltage	V_F	V	$I_F=1mA$	-	0.715
			$I_F=10mA$	-	0.855
			$I_F=50mA$	-	1
			$I_F=150mA$	-	1.25
Reverse Leakage Current	I_{R1}	nA	$V_R=20V$	-	25
	I_{R2}	μA	$V_R=75V$	-	1
Capacitance	C	pF	$V_R=0V, f=1MHz$	-	4
Reverse Recovery Time	T_{RR}	ns	$I_F=10mA, I_{RR}=1mA$	-	4

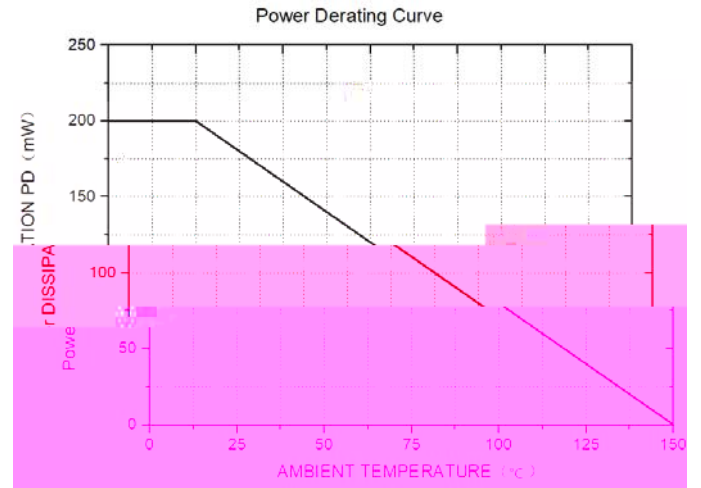
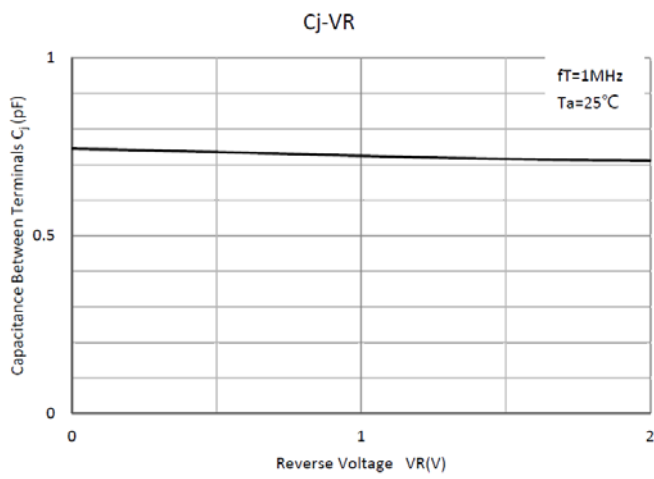
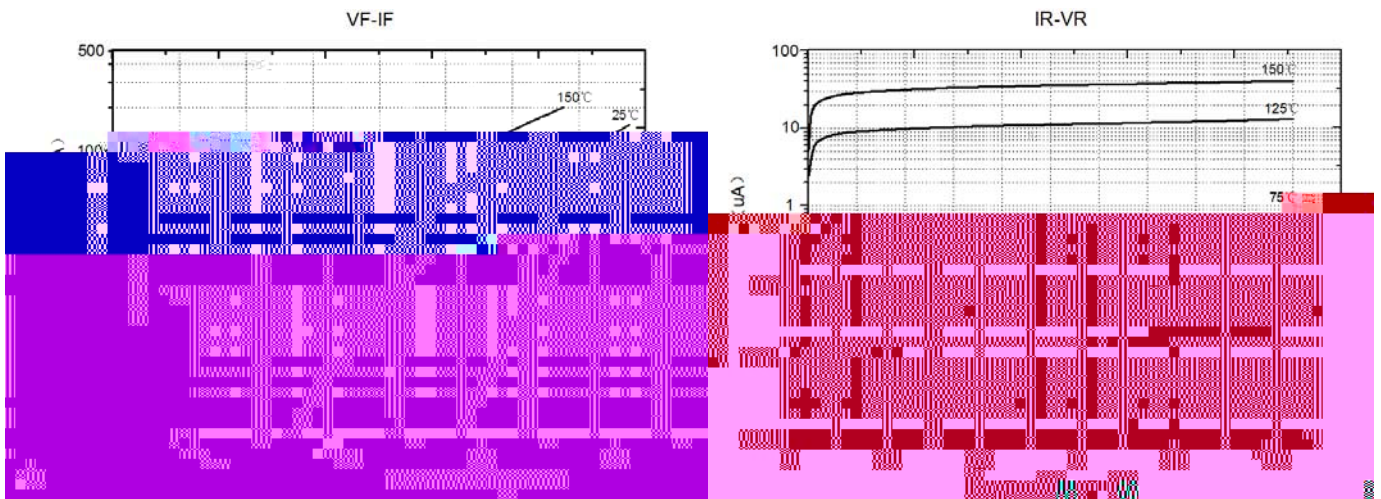
(Example)

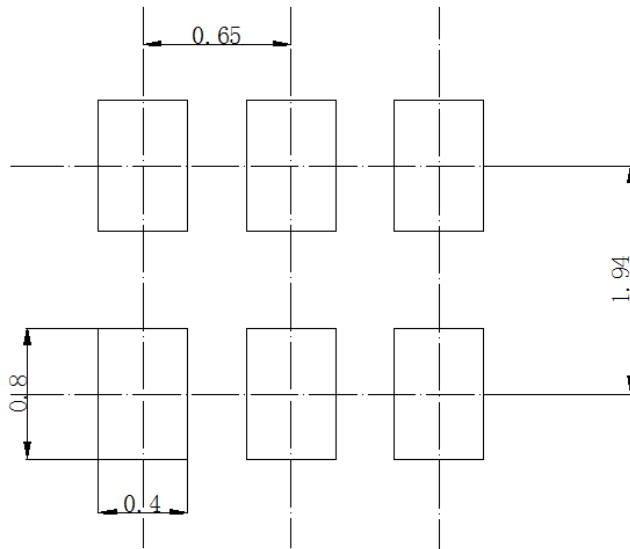
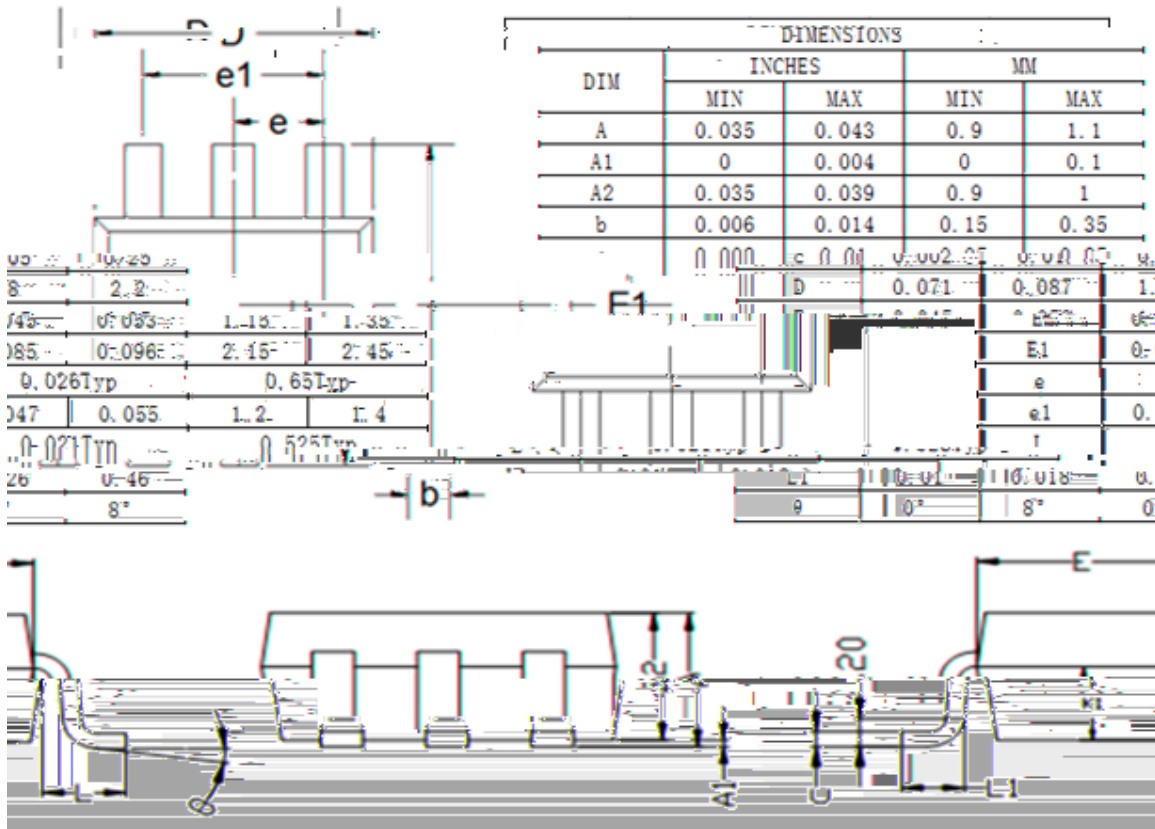
PTL13C48	F2	Approximate 0.009g	3000	30000	120000	7" reel
----------	----	--------------------	------	-------	--------	---------

(Typical)



(Typical)





Unit mm



The information presented in this document is for reference only. Yangzhou Yangjie Electronic Technology Co., Ltd. reserves the right to make changes without notice for the specification of the products displayed herein to improve reliability, function or design or otherwise.

The product listed herein is designed to be used with ordinary electronic equipment or devices, and not designed to be used with equipment or devices which require high level of reliability and the malfunction of which would directly endanger human life (such as medical instruments, transportation equipment, aerospace machinery, nuclear-reactor controllers, fuel controllers and other safety devices), Yangjie or anyone on its behalf, assumes no responsibility or liability for any damages resulting from such improper use of sale.

This publication supersedes & replaces all information previously supplied. For additional information, please visit our website [http:// www.21yangjie.com](http://www.21yangjie.com) , or consult your nearest Yangjie's sales office for further assistance.