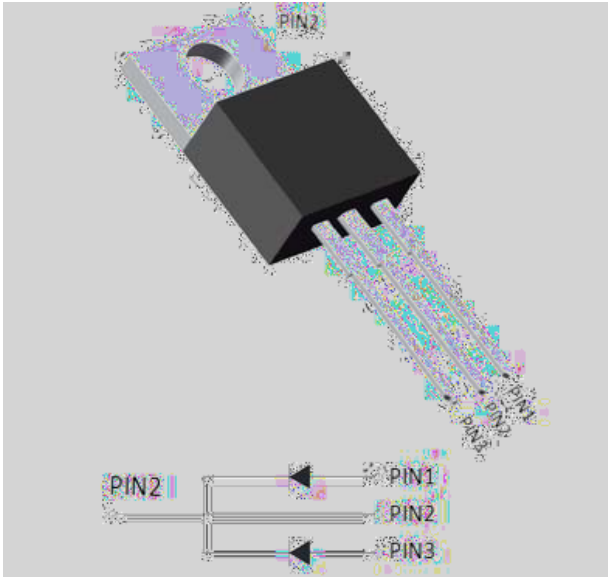


Ultra-Fast Recovery Diodes 20A FRED



Features

- Adopt FRED chip
- Low forward Voltage drop
- Fast reverse recovery time
- High frequency operation
- High purity, high temperature epoxy encapsulation for enhanced mechanical strength and moisture resistance
- Guard ring for enhanced ruggedness and long term reliability

Typical Applications

Typical applications are in switching power supplies, converters, freewheeling diodes, and reverse battery protection.

Mechanical Data

Package: TO-220AB

Molding compound meets UL 94 V-0 flammability rating, RoHS-compliant

Terminals: Tin plated leads, solderable per J-STD-002 and JESD22-B102

Polarity: As marked

Maximum Ratings (T_j=25 Unless otherwise specified)

PARAMETER	SYMBOL	UNIT	MURS2030CTS
Device marking code			MURS2030CTS
Repetitive Peak Reverse Voltage	V _{RRM}	V	300
Average Rectified Output Current @60Hz sine wave, R-load, T _c (FIG.1)	I _O	A	20
Surge(Non-repetitive)Forward Current @60Hz half sine-wave, 1 cycle, T _a =25	I _{FSM}	A	150
Current Squared Time @1ms t 8.3ms T _j =25	I ² t	A ² s	93.37
Storage Temperature	T _{stg}		-55 ~ +175
Junction Temperature	T _j		-55 ~ +175
Typical Junction capacitance @4V,1MHz	C _j	pF	93



MURS2030CTS

Electrical Characteristics

PARAMETER	SYMBOL	UNIT	TEST CONDITIONS	Min	Typ	Max	
Instantaneous forward voltage drop per diode	V_{FM}	V	$I_{FM}=10.0A$ @ $T_j=25$	-	1.20	1.40	
			$I_{FM}=10.0A$ @ $T_j=125$		0.95	1.20	
DC reverse current at rated DC blocking voltage per diode	I_{RRM1}	uA	$V_{RM}=V_{RRM}$ $T_j=25$	-	-	20	
	I_{RRM2}		$V_{RM}=V_{RRM}$ $T_j=125$	-	-	300	
Reverse Recovery Time	T_{RR}	ns	$I_F=0.5A$ $I_{RM}=1A$ $I_{RR}=0.25A$ $T_j=25$	-	17	25	
			$T_j=25$	-	37	-	
			$T_j=125$	-	46		
Peak recovery current	I_{RRM}	A	$T_j=25$	$I_F=10A$ $di/dt=-200A/us$ $V_{RM}=200V$	-	2.25	-
			$T_j=125$		-	5.54	-
Reverse recovery charge	Q_{rr}	nC	$T_j=25$		-	41	-
			$T_j=125$		-	128	-

Thermal Characteristics $T_j=25$ Unless otherwise specified

PARAMETER		SYMBOL	UNIT	MURS2030CTS
Thermal Resistance	Between junction and case	R_{J-C}	/W	2.5
	Between junction and Air	R_{J-A}	/W	50

Ordering Information (Example)

PREFERRED P/N	UNIT WEIGHT(g)	MINIMUM PACKAGE(pcs)	INNER BOX QUANTITY(pcs)

Characteristics (Typical)

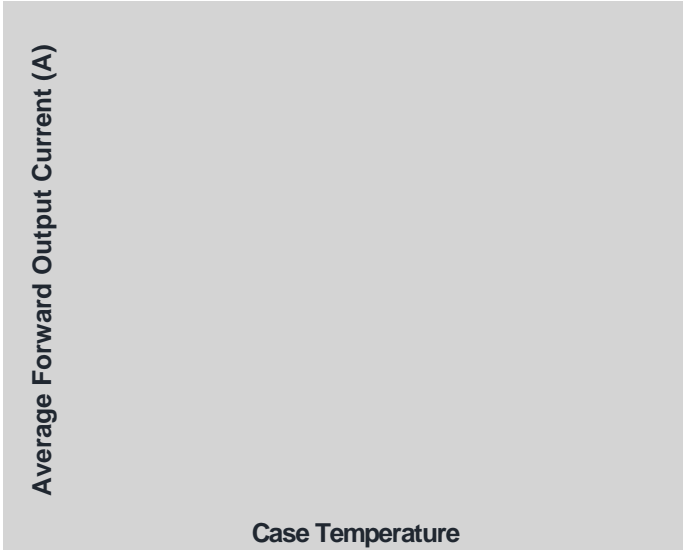


FIG2: Surge Forward Current Capability

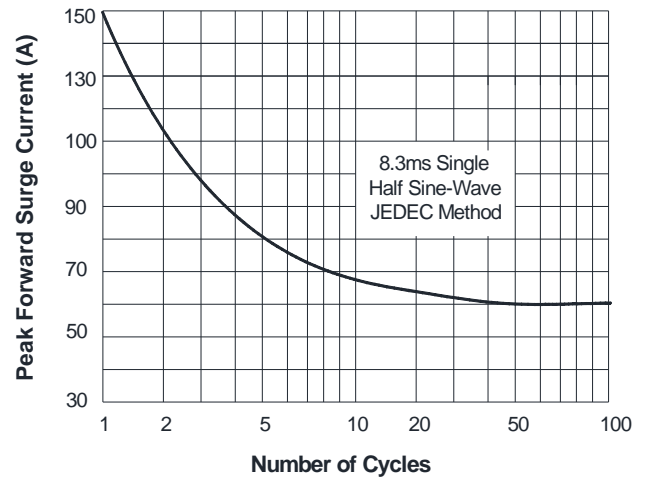
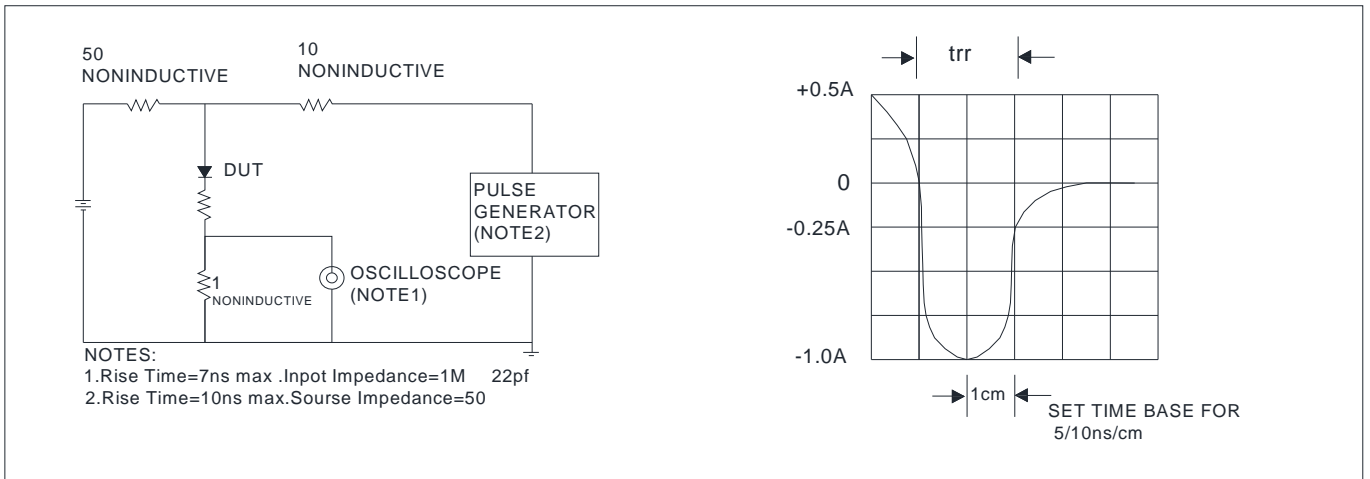


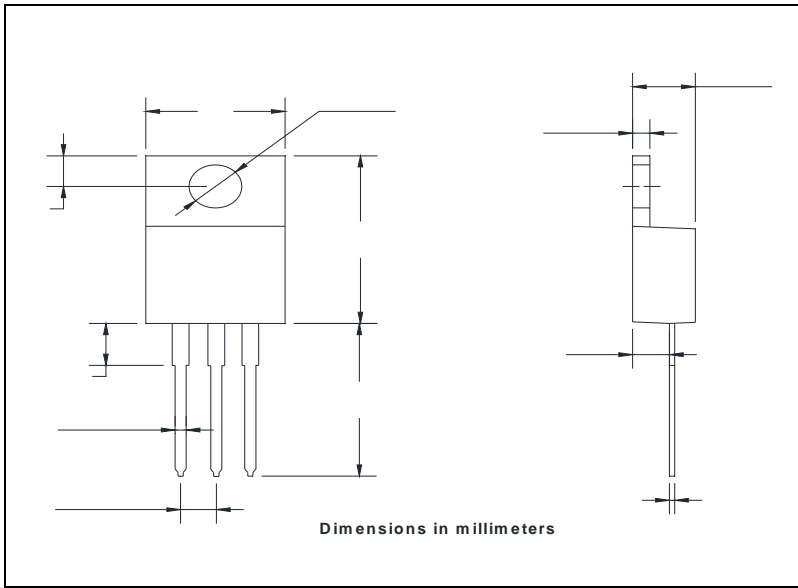
FIG.5: Diagram of circuit and Testing wave form of reverse recovery time





Outline Dimensions

TO-220





MURS2030CTS

Disclaimer

The information presented in this document is for reference only. Yangzhou Yangjie Electronic Technology Co., Ltd. reserves the right to make changes without notice for the specification of the products displayed herein to improve reliability, function or design or otherwise.

The product listed herein is designed to be used with ordinary electronic equipment or devices, and not designed to be used with equipment or devices which require high level of reliability and the malfunction of which would directly endanger human life (such as medical instruments, transportation equipment, aerospace machinery, nuclear-reactor controllers, fuel controllers and other safety devices), Yangjie or anyone on its behalf, assumes no responsibility or liability for any damages resulting from such improper use of sale.

This publication supersedes & replaces all information previously supplied. For additional information, please visit our website [http:// www.21yangjie.com](http://www.21yangjie.com) , or consult your nearest Yangjie's sales office for further assistance.